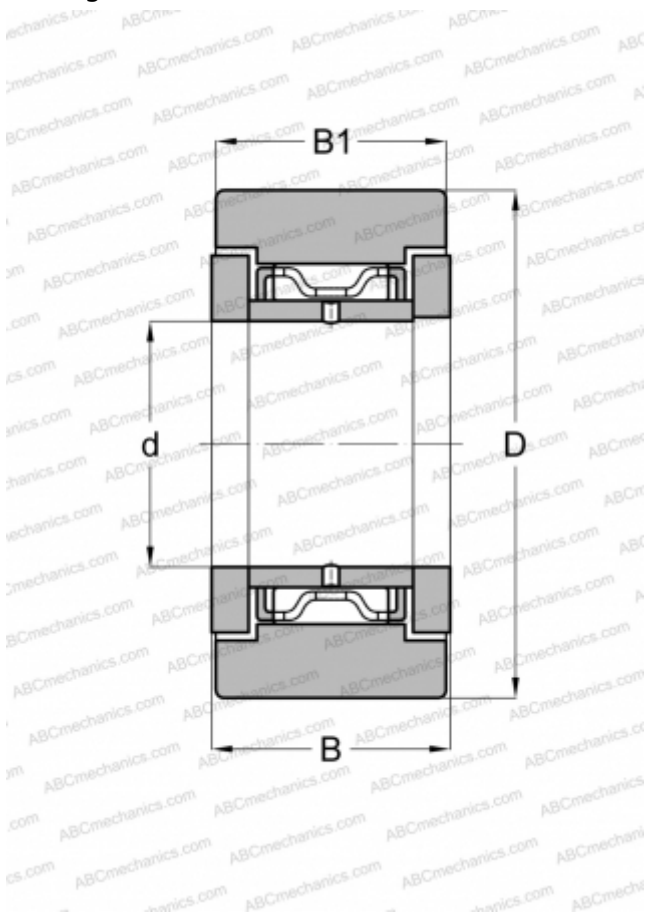


NATR 17 X SKF

Yoke type track roller

TYPE: Roller bearings, Yoke type track rollers, With axial guidance, Gap seals on both side, cylindrical outer ring



Technical specification

DIMENSIONS, MM

d	17,000
D	40,000
B	21,000
B1	20,000

WEIGHT, KG

0,140

MANUFACTURER

[SKF](#)

INTERCHANGE

ABC	NATR 17 X
INA	NATR 17 X

CALCULATION DATA

Basic dynamic load rating, C	10,500 kN
Basic static load rating, Co	14,600 kN
Fatigue load limit, Pu	1,730 kN
Limiting speed	3400 r/min