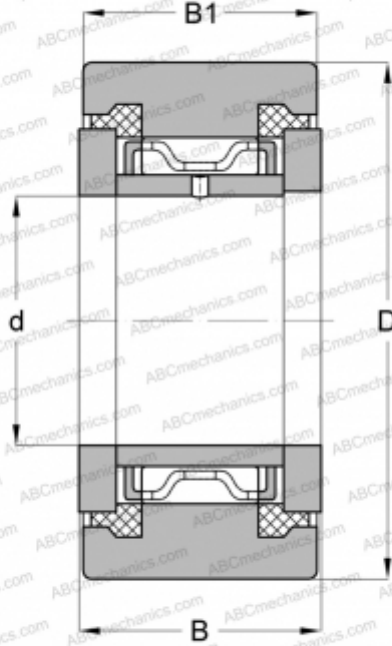


## NATR 17 PPX INA

Yoke type track roller

TYPE: Roller bearings, Yoke type track rollers, With axial guidance, Sealing rings on both sides, cylindrical outer ring



### Technical specification

#### DIMENSIONS, MM

d	17,000
D	40,000
B	21,000
B1	20,000

#### WEIGHT, KG

0,139

#### MANUFACTURER

[INA](#)

#### INTERCHANGE

ABC	<a href="#">NATR 17 PPX</a>
SKF	<a href="#">NATR 17 PPX</a>