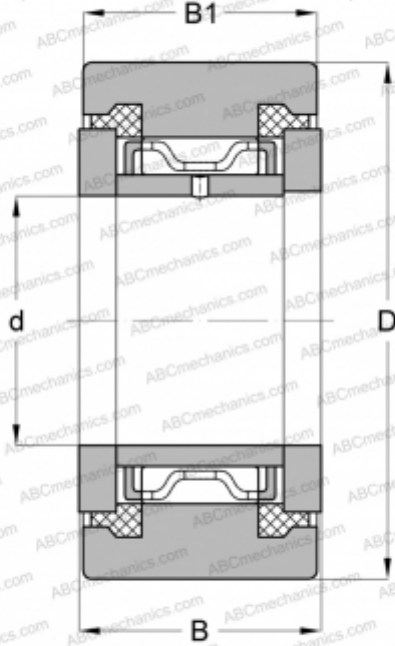


NATR 35 PPX ABC

Yoke type track roller

TYPE: Roller bearings, Yoke type track rollers, With axial guidance, Sealing rings on both sides, cylindrical outer ring



Technical specification

DIMENSIONS, MM

d	35,000
D	72,000
B	29,000
B1	28,000

WEIGHT, KG

0,550

MANUFACTURER

[ABC](#)

INTERCHANGE

SKF

[NATR 35 PPX](#)