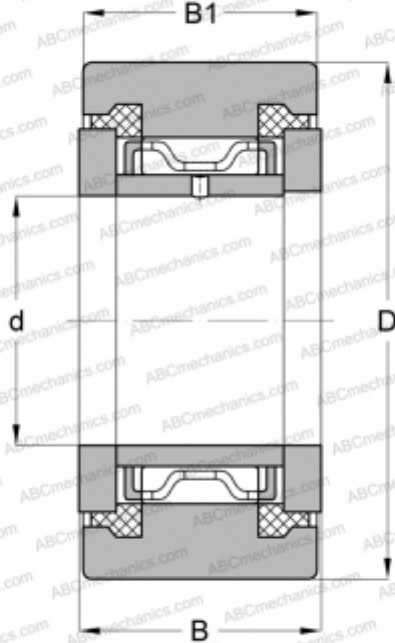


NATR 35 PPX SKF

Yoke type track roller

TYPE: Roller bearings, Yoke type track rollers, With axial guidance, Sealing rings on both sides, cylindrical outer ring



Technical specification

DIMENSIONS, MM

d	35,000
D	72,000
B	29,000
B1	28,000

WEIGHT, KG

0,550

MANUFACTURER

[SKF](#)

INTERCHANGE

ABC	NATR 35 PPX
-----	-----------------------------

CALCULATION DATA

Basic dynamic load rating, C	24,600 kN
Basic static load rating, Co	43,000 kN
Fatigue load limit, Pu	5,300 kN
Limiting speed	1600 r/min