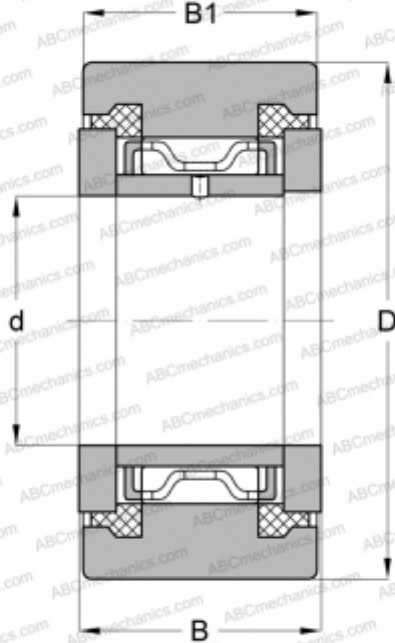


NATR 40 PPX SKF

Yoke type track roller

TYPE: Roller bearings, Yoke type track rollers, With axial guidance, Sealing rings on both sides, cylindrical outer ring



Technical specification

DIMENSIONS, MM

| | |
|----|--------|
| d | 40,000 |
| D | 80,000 |
| B | 32,000 |
| B1 | 30,000 |

WEIGHT, KG

0,800

MANUFACTURER

[SKF](#)

INTERCHANGE

| | |
|-----|-----------------------------|
| ABC | NATR 40 PPX |
|-----|-----------------------------|

CALCULATION DATA

| | |
|------------------------------|------------|
| Basic dynamic load rating, C | 31,900 kN |
| Basic static load rating, Co | 57,000 kN |
| Fatigue load limit, Pu | 7,100 kN |
| Limiting speed | 1500 r/min |