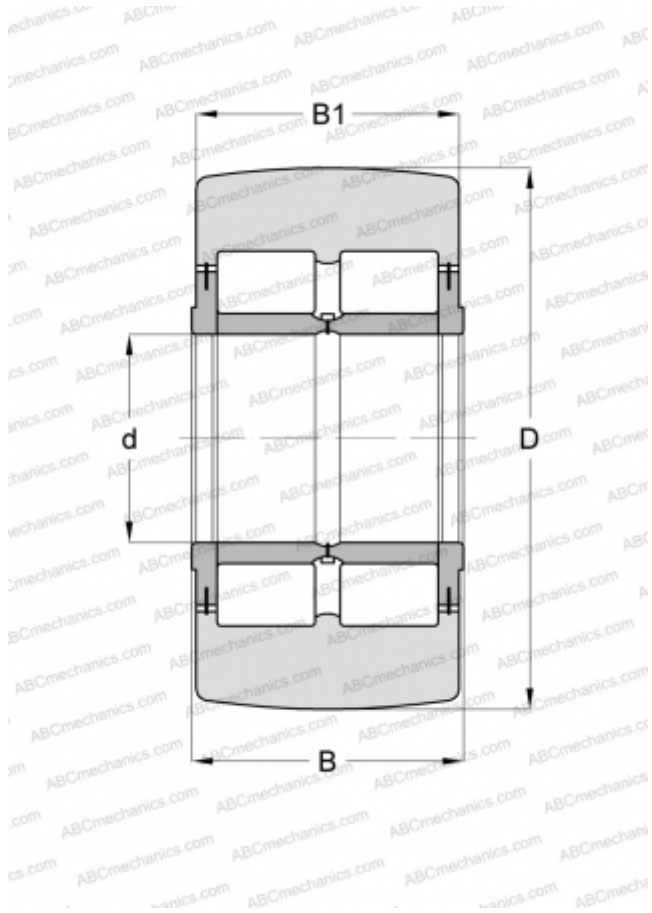


## NNTR 70x180x85.2ZL SKF

Yoke type track roller

TYPE: Roller bearings, Yoke type track rollers, With axial guidance, Full complement roller set, central rib, sealing shields with lamellar ring on both sides



### Technical specification

#### DIMENSIONS, MM

d	70,000
D	180,000
B	85,000
B1	83,000

#### WEIGHT, KG

13,000

#### MANUFACTURER

[SKF](#)

#### INTERCHANGE

ABC	<a href="#">NNTR 70X180X85 2ZL</a>
INA	<a href="#">NNTR 70X180X85 2ZL</a>

#### CALCULATION DATA

Basic dynamic load rating, C	330,000 kN
Basic static load rating, Co	455,000 kN
Fatigue load limit, Pu	61,000 kN
Limiting speed	560 r/min