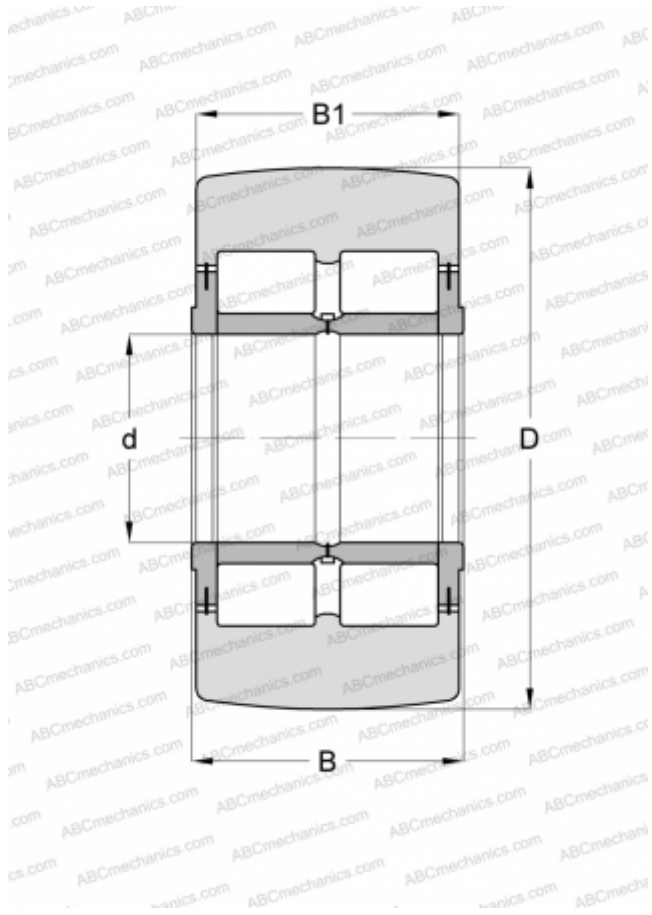


NNTR 130x310x146.2ZL SKF

Yoke type track roller

TYPE: Roller bearings, Yoke type track rollers, With axial guidance, Full complement roller set, central rib, sealing shields with lamellar ring on both sides



Technical specification

DIMENSIONS, MM

d	130,000
D	310,000
B	146,000
B1	144,000

WEIGHT, KG

65,000

MANUFACTURER

[SKF](#)

INTERCHANGE

ABC	NNTR 130X310X146 2ZL
INA	NNTR 130X310X146 2ZL

CALCULATION DATA

Basic dynamic load rating, C	952,000 kN
Basic static load rating, Co	1460,000 kN
Fatigue load limit, Pu	166,000 kN
Limiting speed	300 r/min