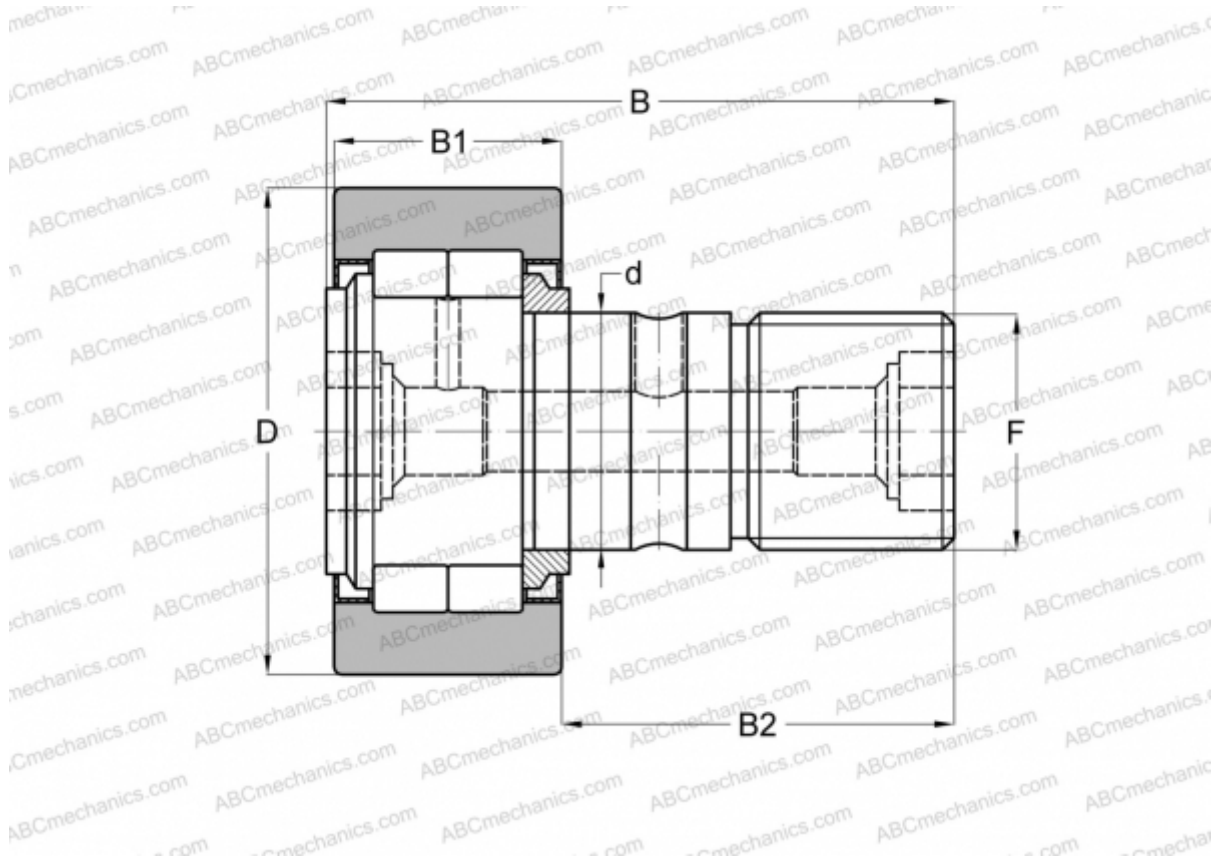


## NUKR 35 X ABC

Cam followers

TYPE: Roller bearings, Stud type track rollers, With axial guidance, full complement cylindrical roller set, labyrinth seals on both sides, cylindrical outer ring



### Technical specification

#### DIMENSIONS, MM

|    |         |
|----|---------|
| d  | 16,000  |
| D  | 35,000  |
| B  | 52,000  |
| B1 | 18,000  |
| B2 | 32,500  |
| F  | M16x1,5 |

**WEIGHT, KG** 0,172

**MANUFACTURER** [ABC](#)

#### INTERCHANGE

|        |  |
|--------|--|
| FAG    | <a href="#">NUKR 35 C DZ(NUKD35 AA DZ)</a> |
| INA    | <a href="#">NUKR 35 X</a>                  |
| IKO    | <a href="#">NUCF 16</a>                    |
| McGill | <a href="#">MCFD 35 SX</a>                 |

#### INTERCHANGE

SKF [NUKR 35 XA](#)