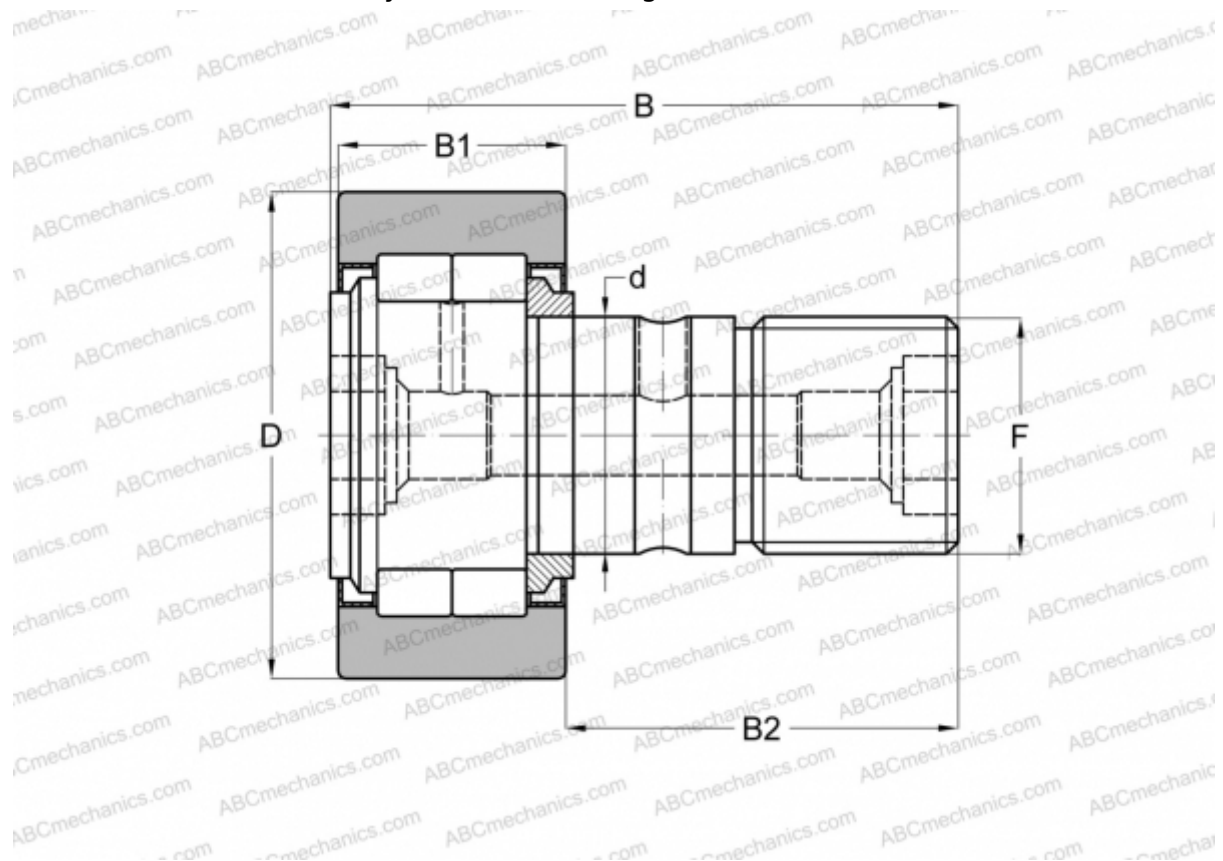


MCFD 35 SX McGill

Cam followers

TYPE: Roller bearings, Stud type track rollers, With axial guidance, full complement cylindrical roller set, labyrinth seals on both sides, cylindrical outer ring



Technical specification

DIMENSIONS, MM

d	16,000
D	35,000
B	52,000
B1	18,000
B2	32,500
F	M16x1,5

WEIGHT, KG 0,172

MANUFACTURER [McGill](#)

INTERCHANGE

ABC	NUKR 35 X
FAG	NUKR 35 C DZ(NUKD35 AA DZ)
INA	NUKR 35 X
IKO	NUCF 16

INTERCHANGE

SKF [NUKR 35 XA](#)