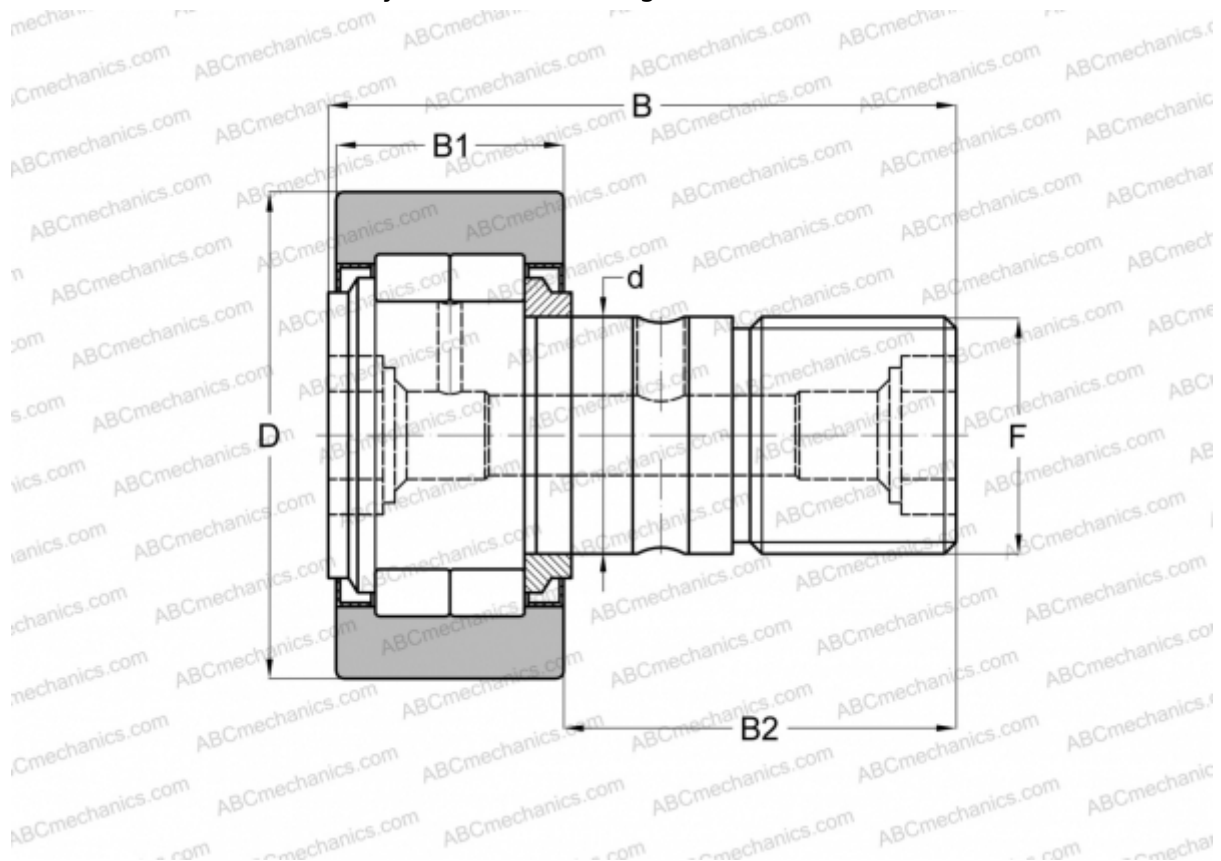


NUKR 35 XA SKF

Cam followers

TYPE: Roller bearings, Stud type track rollers, With axial guidance, full complement cylindrical roller set, labyrinth seals on both sides, cylindrical outer ring



Technical specification

DIMENSIONS, MM

d	16,000
D	35,000
B	52,000
B1	18,000
B2	32,500
F	M 16x1.5

WEIGHT, KG 0,164

MANUFACTURER [SKF](#)

INTERCHANGE

ABC	NUKR 35 X
FAG	NUKR 35 C DZ(NUKD35 AA DZ)
INA	NUKR 35 X
IKO	NUCF 16

INTERCHANGE

McGill [MCFD 35 SX](#)

CALCULATION DATA

Basic dynamic load rating, C	16,800 kN
Basic static load rating, Co	17,600 kN
Fatigue load limit, Pu	2,000 kN
Limiting speed	5000 r/min