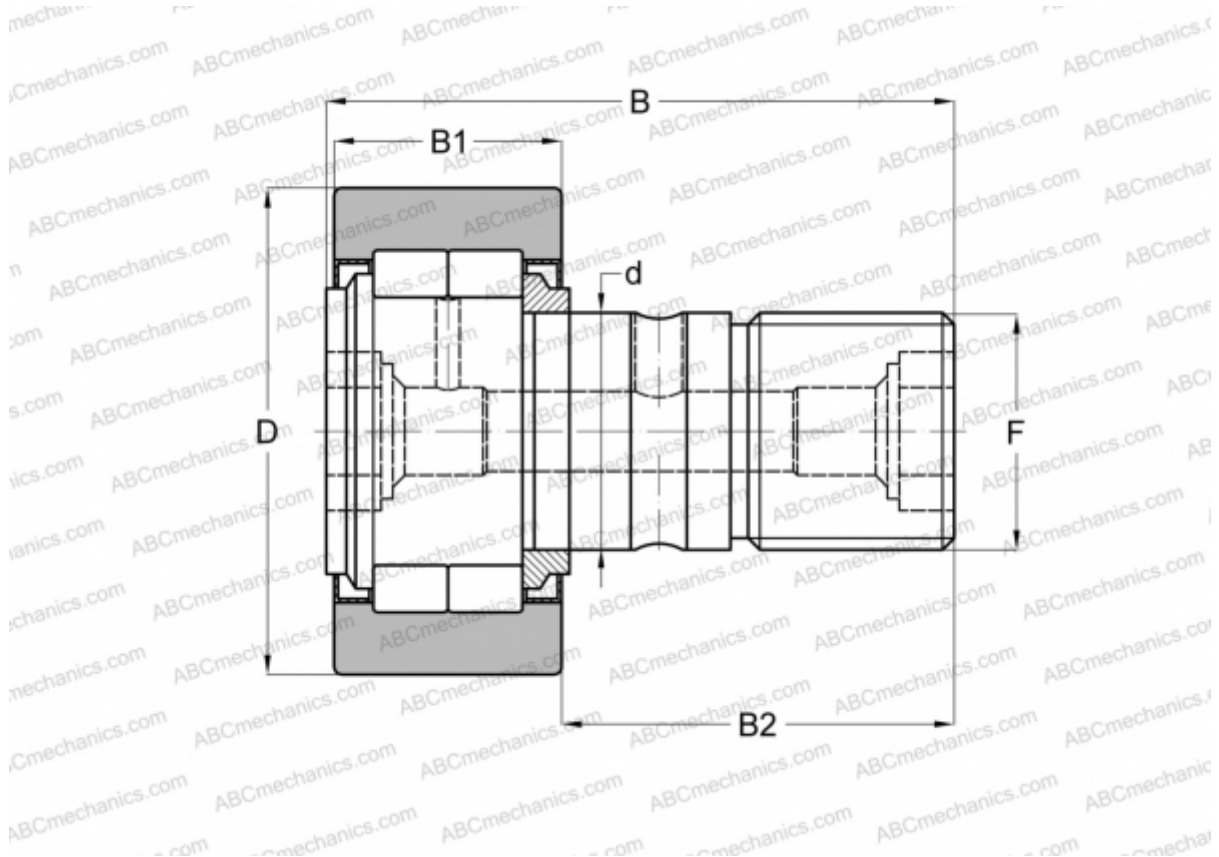


## NUKR 40 X ABC

Cam followers

TYPE: Roller bearings, Stud type track rollers, With axial guidance, full complement cylindrical roller set, labyrinth seals on both sides, cylindrical outer ring



### Technical specification

#### DIMENSIONS, MM

d	18,000
D	40,000
B	58,000
B1	20,000
B2	36,500
F	M18x1,5

**WEIGHT, KG** 0,254

**MANUFACTURER** [ABC](#)

#### INTERCHANGE

FAG	<a href="#">NUKR 40 C DZ(NUKD40 DZ)</a>
INA	<a href="#">NUKR 40 X</a>
IKO	<a href="#">NUCF 18</a>
McGill	<a href="#">MCFD 40 SX</a>

#### INTERCHANGE

SKF [NUKR 40 XA](#)