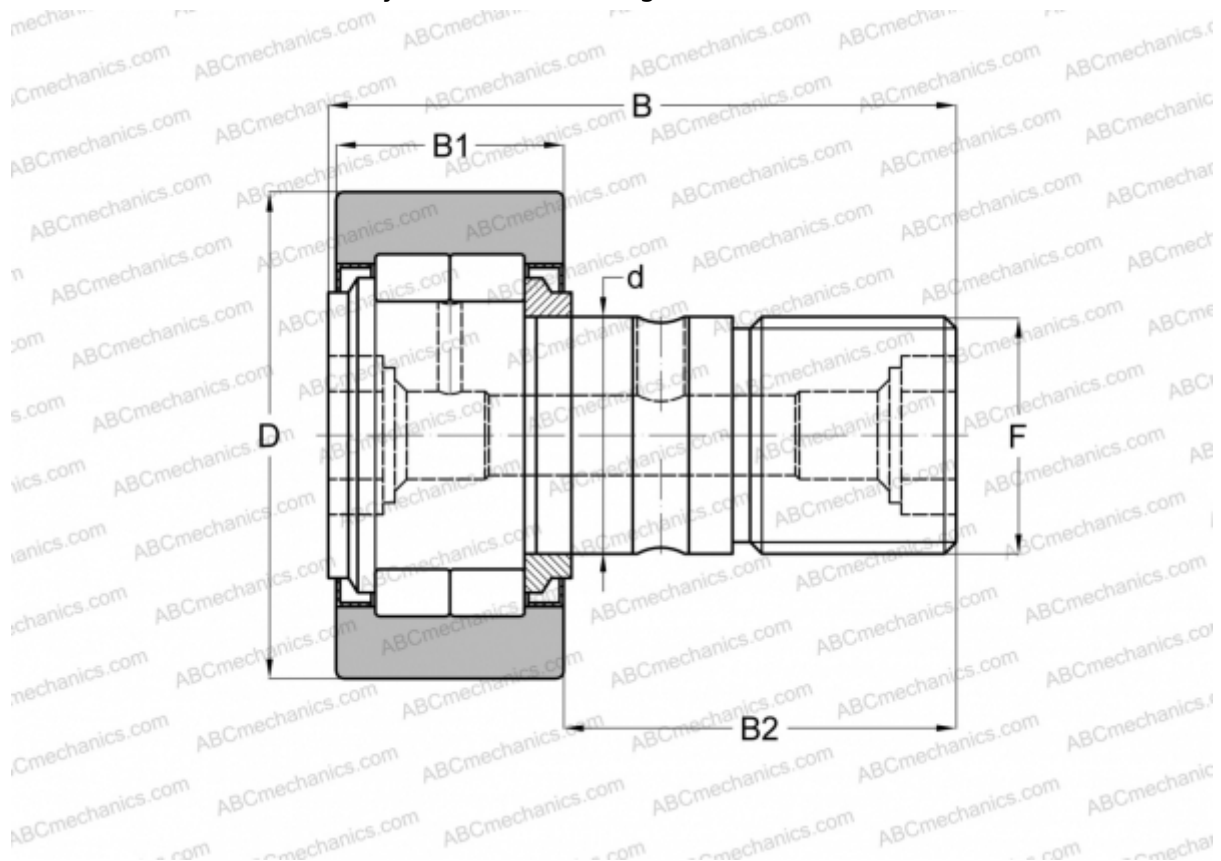


## NUKR 47 C DZ(NUKD47 DZ) FAG

Cam followers

TYPE: Roller bearings, Stud type track rollers, With axial guidance, full complement cylindrical roller set, labyrinth seals on both sides, cylindrical outer ring



### Technical specification

#### DIMENSIONS, MM

d	20,000
D	47,000
B	66,000
B1	24,000
B2	40,500
F	M20x1,5

**WEIGHT, KG** 0,390

**MANUFACTURER** [FAG](#)

#### INTERCHANGE

ABC	<a href="#">NUKR 47 X</a>
INA	<a href="#">NUKR 47 X</a>
IKO	<a href="#">NUCF 20-1</a>
McGill	<a href="#">MCFD 47 SX</a>

#### INTERCHANGE

SKF [NUKR 47 XA](#)