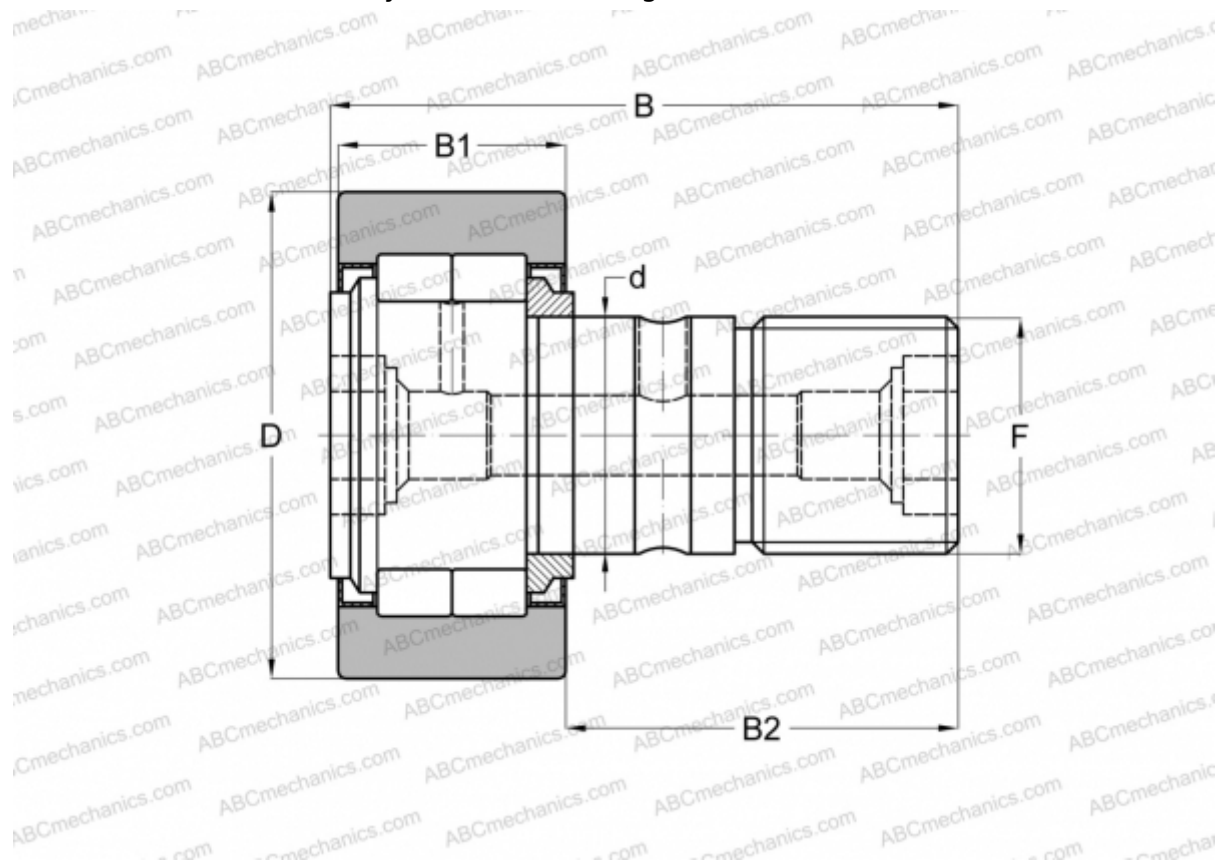


NUKR 47 XA SKF

Cam followers

TYPE: Roller bearings, Stud type track rollers, With axial guidance, full complement cylindrical roller set, labyrinth seals on both sides, cylindrical outer ring



Technical specification

DIMENSIONS, MM

d	20,000
D	47,000
B	66,000
B1	24,000
B2	40,500
F	M 20x1.5

WEIGHT, KG 0,380

MANUFACTURER [SKF](#)

INTERCHANGE

ABC	NUKR 47 X
FAG	NUKR 47 C DZ(NUKD47 DZ)
INA	NUKR 47 X
IKO	NUCF 20-1

INTERCHANGE

McGill [MCFD 47 SX](#)

CALCULATION DATA

Basic dynamic load rating, C	28,600 kN
Basic static load rating, Co	33,500 kN
Fatigue load limit, Pu	3,900 kN
Limiting speed	3800 r/min