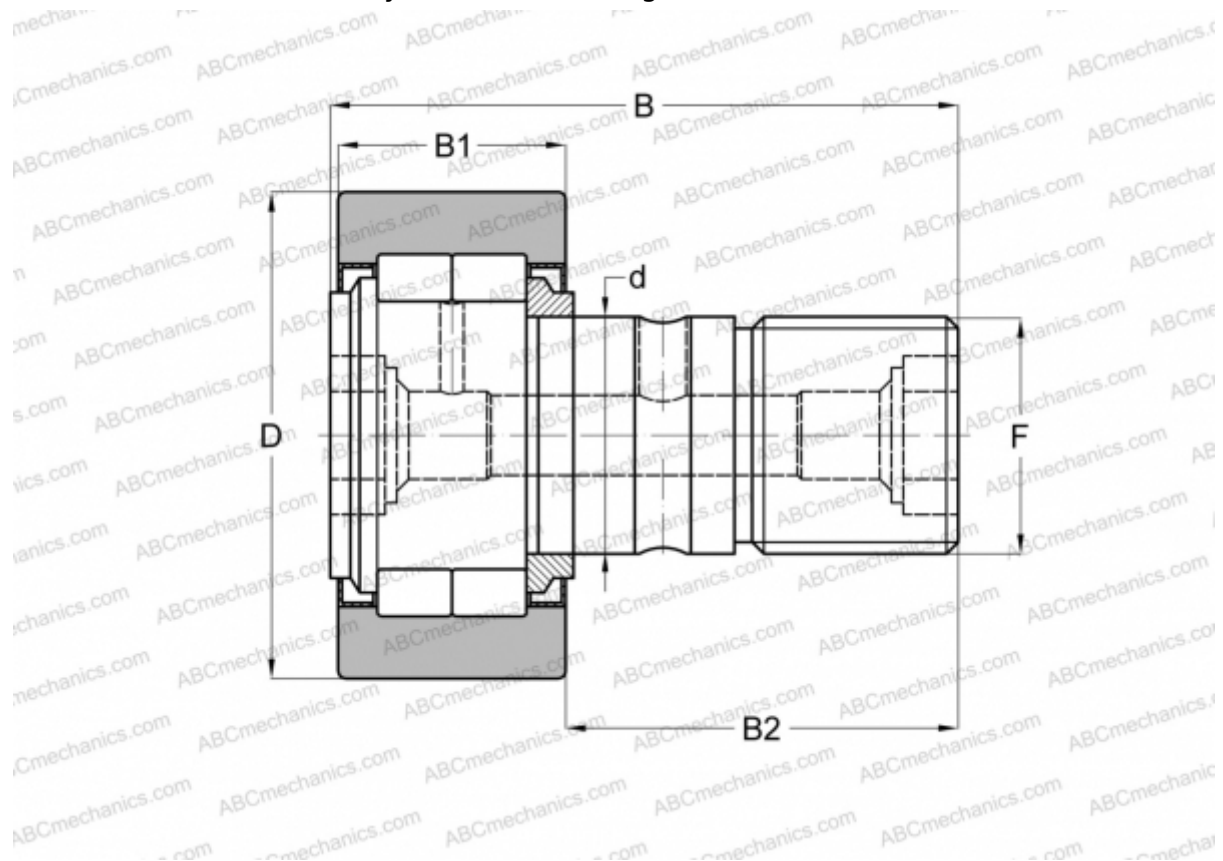


## NUKR 52 X INA

Cam followers

TYPE: Roller bearings, Stud type track rollers, With axial guidance, full complement cylindrical roller set, labyrinth seals on both sides, cylindrical outer ring



### Technical specification

#### DIMENSIONS, MM

d	20,000
D	52,000
B	66,000
B1	24,000
B2	40,500
F	M20x1,5

**WEIGHT, KG** 0,463

**MANUFACTURER** [INA](#)

#### INTERCHANGE

ABC	<a href="#">NUKR 52 X</a>
FAG	<a href="#">NUKR 52 C DZ(NUKD52 DZ)</a>
IKO	<a href="#">NUCF 20</a>
McGill	<a href="#">MCFD 52 SX</a>

#### INTERCHANGE

SKF [NUKR 52 XA](#)