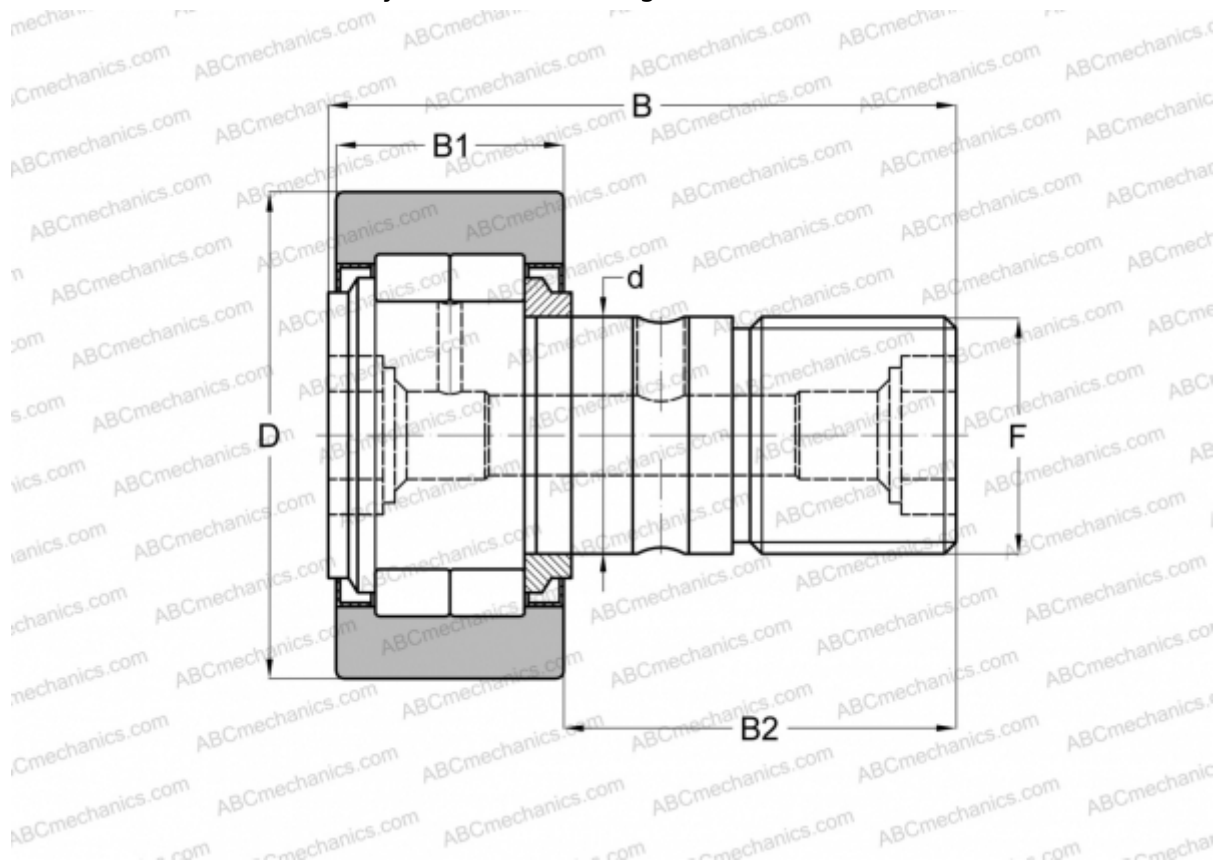


## NUKR 62 XA SKF

Cam followers

TYPE: Roller bearings, Stud type track rollers, With axial guidance, full complement cylindrical roller set, labyrinth seals on both sides, cylindrical outer ring



### Technical specification

#### DIMENSIONS, MM

d	24,000
D	62,000
B	80,000
B1	28,000
B2	49,500
F	M 24x1.5

**WEIGHT, KG** 0,795

**MANUFACTURER** [SKF](#)

#### INTERCHANGE

ABC	<a href="#">NUKR 62 X</a>
FAG	<a href="#">NUKR 62 C DZ(NUKD62 DZ)</a>
INA	<a href="#">NUKR 62 X</a>
IKO	<a href="#">NUCF 24</a>

#### INTERCHANGE

McGill [MCFD 62 SX](#)

#### CALCULATION DATA

Basic dynamic load rating, C	41,300 kN
Basic static load rating, Co	48,000 kN
Fatigue load limit, Pu	5,850 kN
Limiting speed	2600 r/min