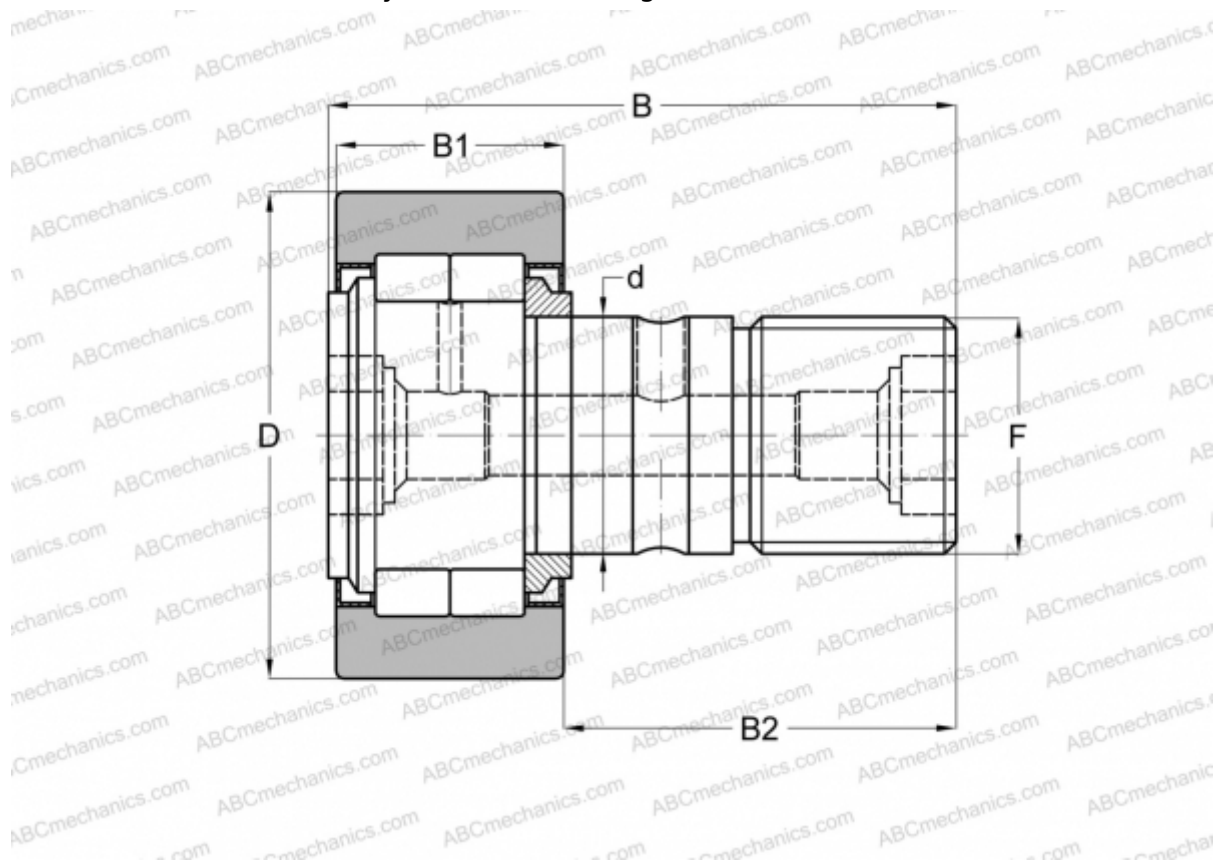


NUKR 80 C DZ(NUKD80 DZ) FAG

Cam followers

TYPE: Roller bearings, Stud type track rollers, With axial guidance, full complement cylindrical roller set, labyrinth seals on both sides, cylindrical outer ring



Technical specification

DIMENSIONS, MM

d	30,000
D	80,000
B	100,000
B1	35,000
B2	63,000
F	M30x1,5

WEIGHT, KG 1,551

MANUFACTURER [FAG](#)

INTERCHANGE

ABC	NUKR 80 X
INA	NUKR 80 X
IKO	NUCF 30
McGill	MCFD 80 SX

INTERCHANGE

SKF [NUKR 80 XA](#)