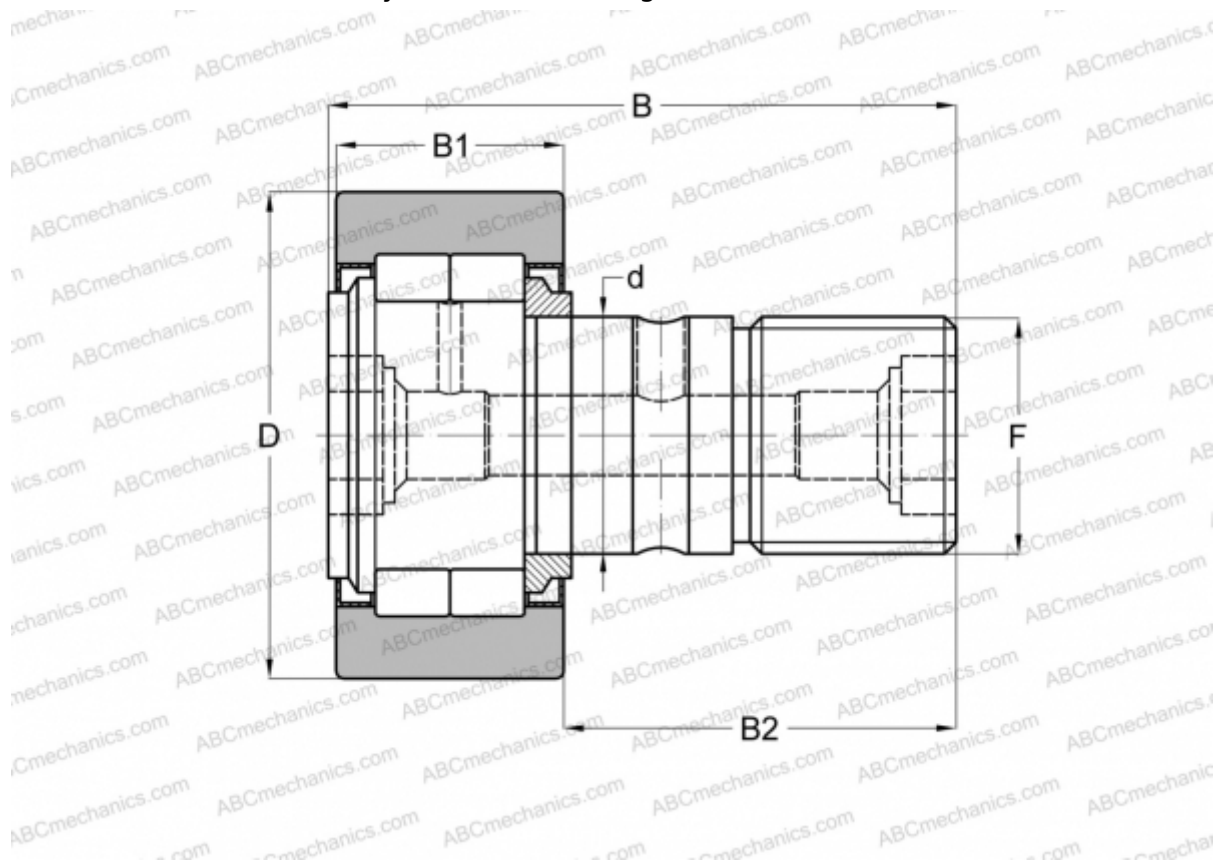


NUKR 85 X INA

Cam followers

TYPE: Roller bearings, Stud type track rollers, With axial guidance, full complement cylindrical roller set, labyrinth seals on both sides, cylindrical outer ring



Technical specification

DIMENSIONS, MM

d	30,000
D	85,000
B	100,000
B1	35,000
B2	63,000
F	M30x1,5

WEIGHT, KG 1,742

MANUFACTURER [INA](#)

INTERCHANGE

ABC	NUKR 85 X
FAG	NUKR 85 C DZ(NUKD85 DZ)
IKO	NUCF 30-1
McGill	MCFD 85 SX