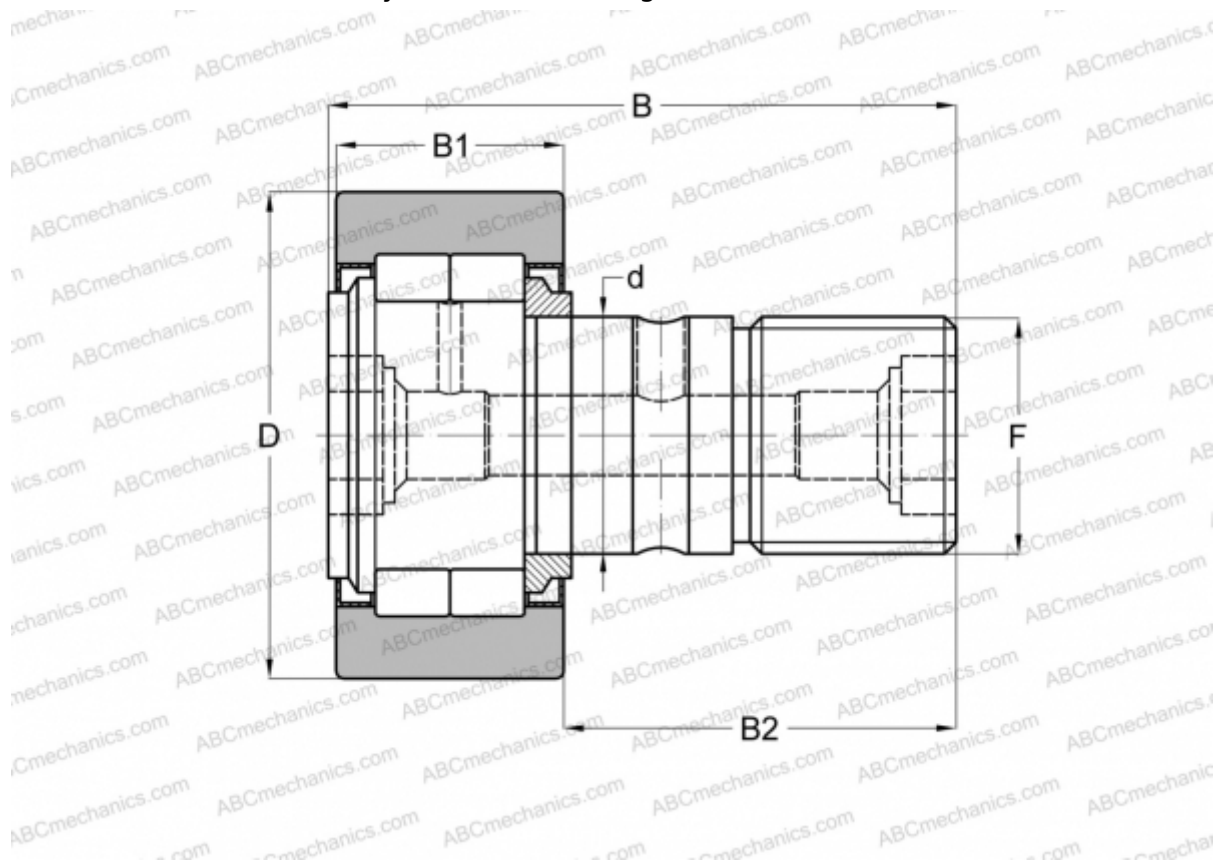


## NUKR 90 C DZ(NUKD90 DZ) FAG

Cam followers

TYPE: Roller bearings, Stud type track rollers, With axial guidance, full complement cylindrical roller set, labyrinth seals on both sides, cylindrical outer ring



### Technical specification

#### DIMENSIONS, MM

|    |         |
|----|---------|
| d  | 30,000  |
| D  | 90,000  |
| B  | 100,000 |
| B1 | 35,000  |
| B2 | 63,000  |
| F  | M30x1,5 |

**WEIGHT, KG** 1,950

**MANUFACTURER** [FAG](#)

#### INTERCHANGE

|        |                            |
|--------|----------------------------|
| ABC    | <a href="#">NUKR 90 X</a>  |
| INA    | <a href="#">NUKR 90 X</a>  |
| IKO    | <a href="#">NUCF 30-2</a>  |
| McGill | <a href="#">MCFD 90 SX</a> |

#### INTERCHANGE

SKF [NUKR 90 XA](#)