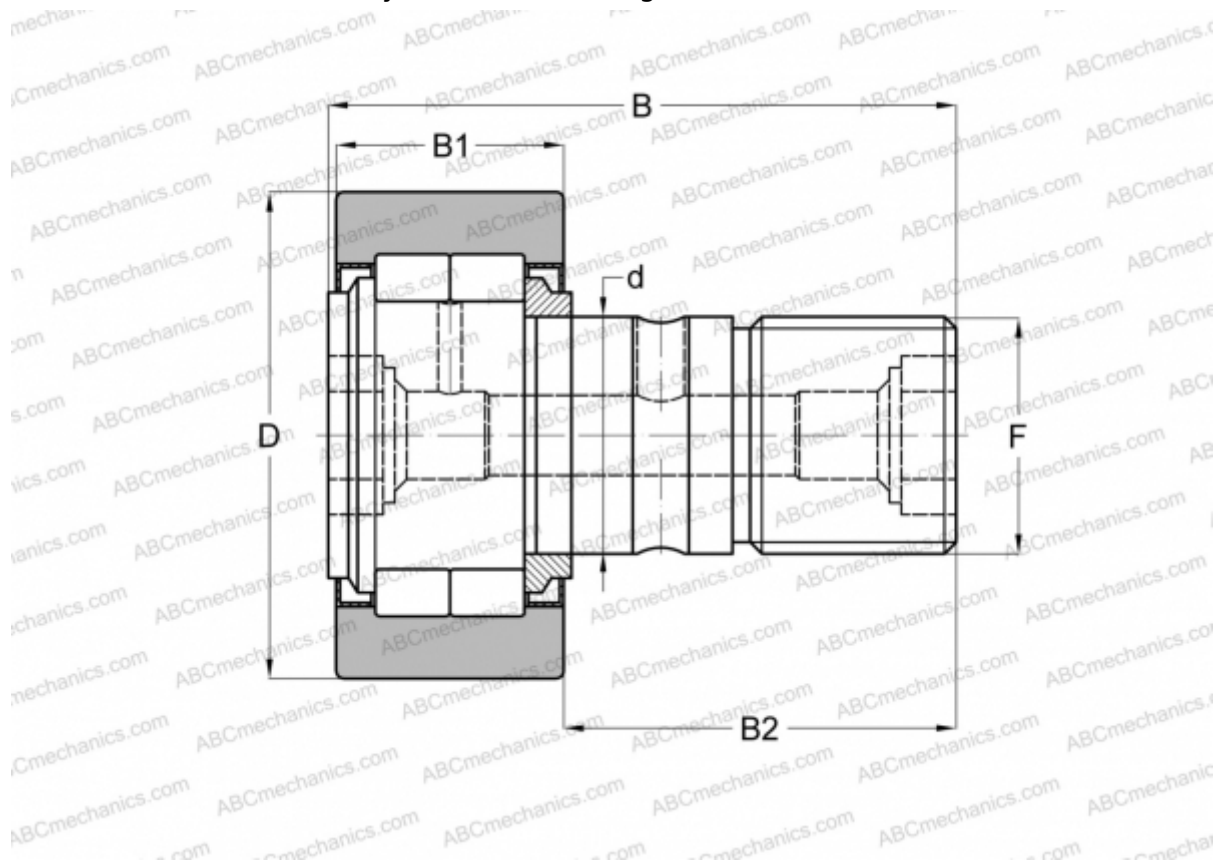


## NUKR 90 X INA

Cam followers

TYPE: Roller bearings, Stud type track rollers, With axial guidance, full complement cylindrical roller set, labyrinth seals on both sides, cylindrical outer ring



### Technical specification

#### DIMENSIONS, MM

d	30,000
D	90,000
B	100,000
B1	35,000
B2	63,000
F	M30x1,5

**WEIGHT, KG** 1,950

**MANUFACTURER** [INA](#)

#### INTERCHANGE

ABC	<a href="#">NUKR 90 X</a>
FAG	<a href="#">NUKR 90 C DZ(NUKD90 DZ)</a>
IKO	<a href="#">NUCF 30-2</a>
McGill	<a href="#">MCFD 90 SX</a>

#### INTERCHANGE

SKF [NUKR 90 XA](#)