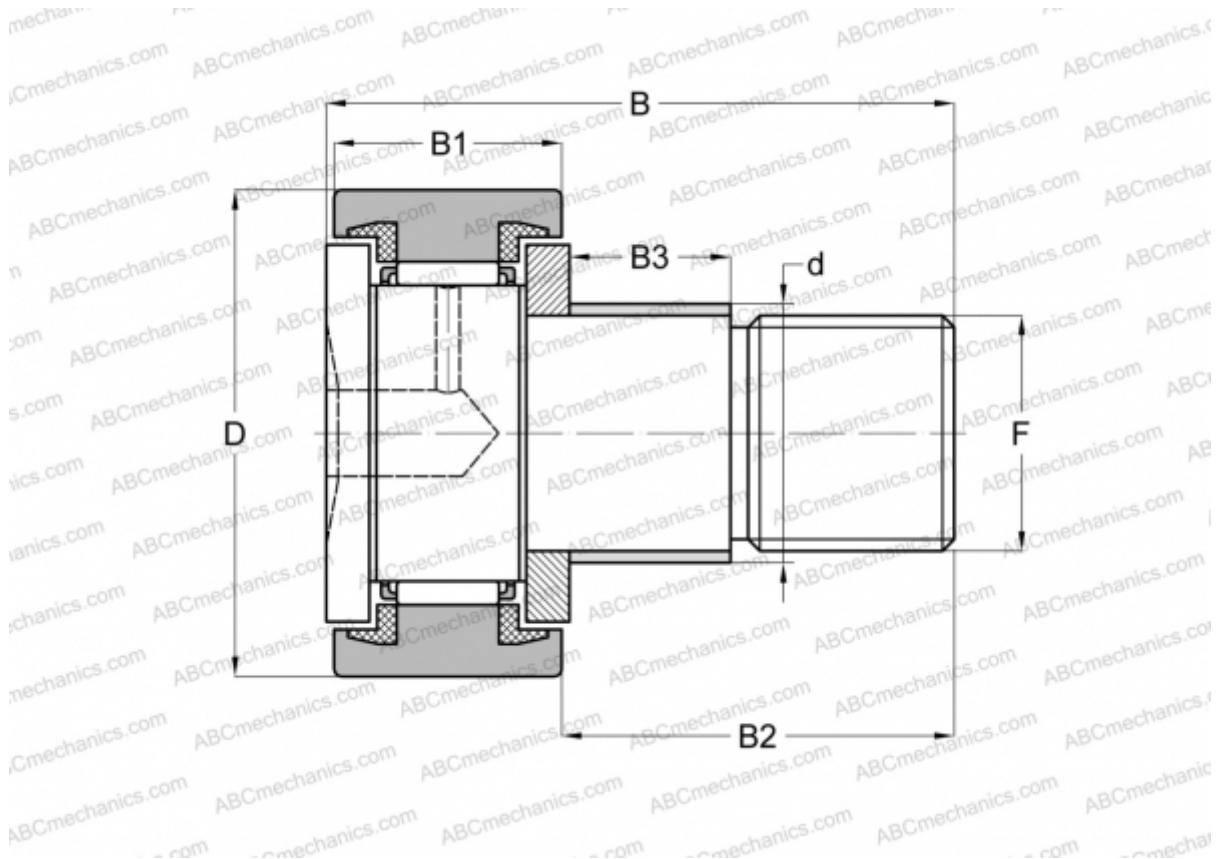


## KRE 19 PPX ABC

Cam followers

TYPE: Roller bearings, Stud type track rollers, With axial guidance, with eccentric collar, sealing rings on both sides, cylindrical outer ring



### Technical specification

#### DIMENSIONS, MM

d	11,000
D	19,000
B	32,000
B1	11,000
B2	20,000
B3	9,000
F	M8x1,25

**WEIGHT, KG** 0,032

**MANUFACTURER** [ABC](#)

#### INTERCHANGE

SKF	<a href="#">KRE 19 PPX</a>
INA	<a href="#">KRE 19 PPX</a>
IKO	<a href="#">CFE 8 UU</a>