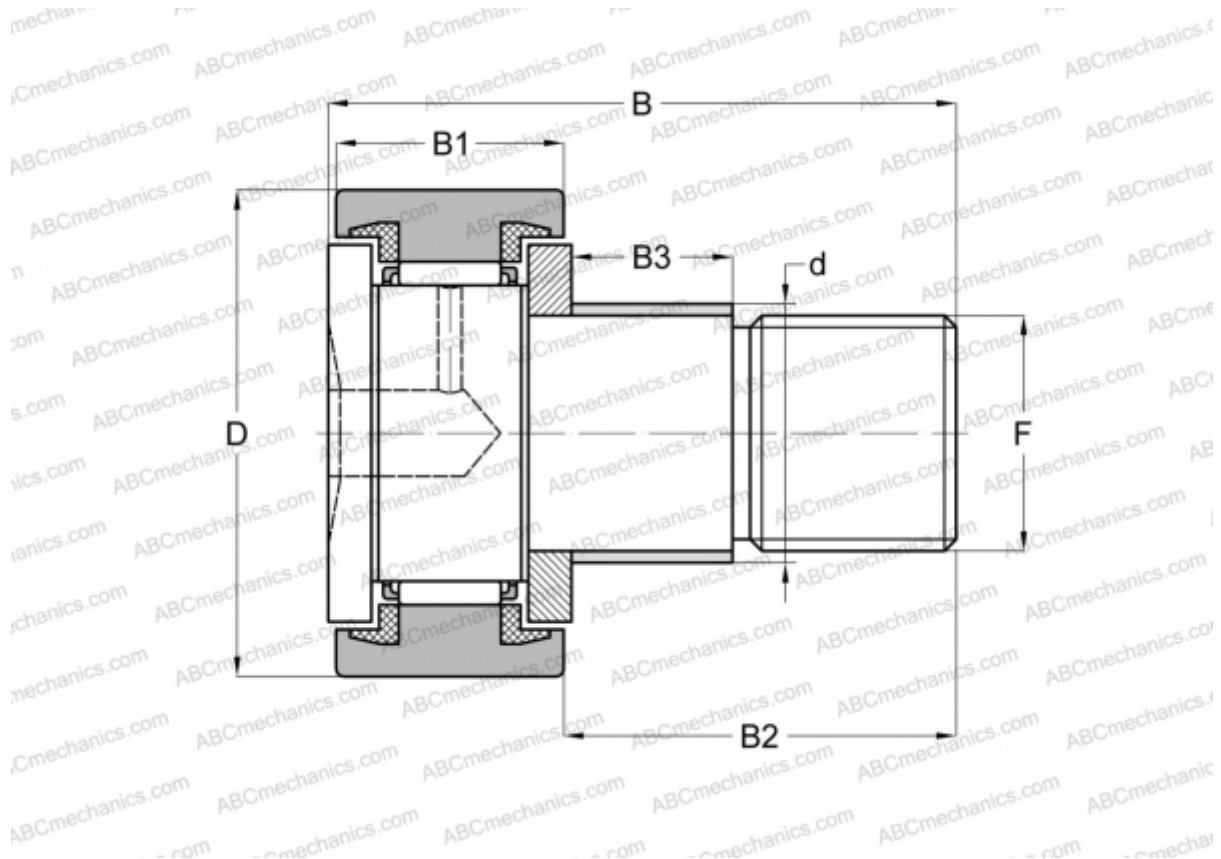


## KRE 19 PPX SKF

Cam followers

TYPE: Roller bearings, Stud type track rollers, With axial guidance, with eccentric collar, sealing rings on both sides, cylindrical outer ring



### Technical specification

#### DIMENSIONS, MM

d	11,000
D	19,000
B	32,000
B1	11,000
B2	20,000
F	M8

**WEIGHT, KG** 0,032

**MANUFACTURER** [SKF](#)

#### INTERCHANGE

ABC	<a href="#">KRE 19 PPX</a>
INA	<a href="#">KRE 19 PPX</a>
IKO	<a href="#">CFE 8 UU</a>

#### CALCULATION DATA

Basic dynamic load rating, C	3,470 kN
Basic static load rating, Co	3,800 kN
Fatigue load limit, Pu	0,415 kN
Limiting speed	5600 r/min