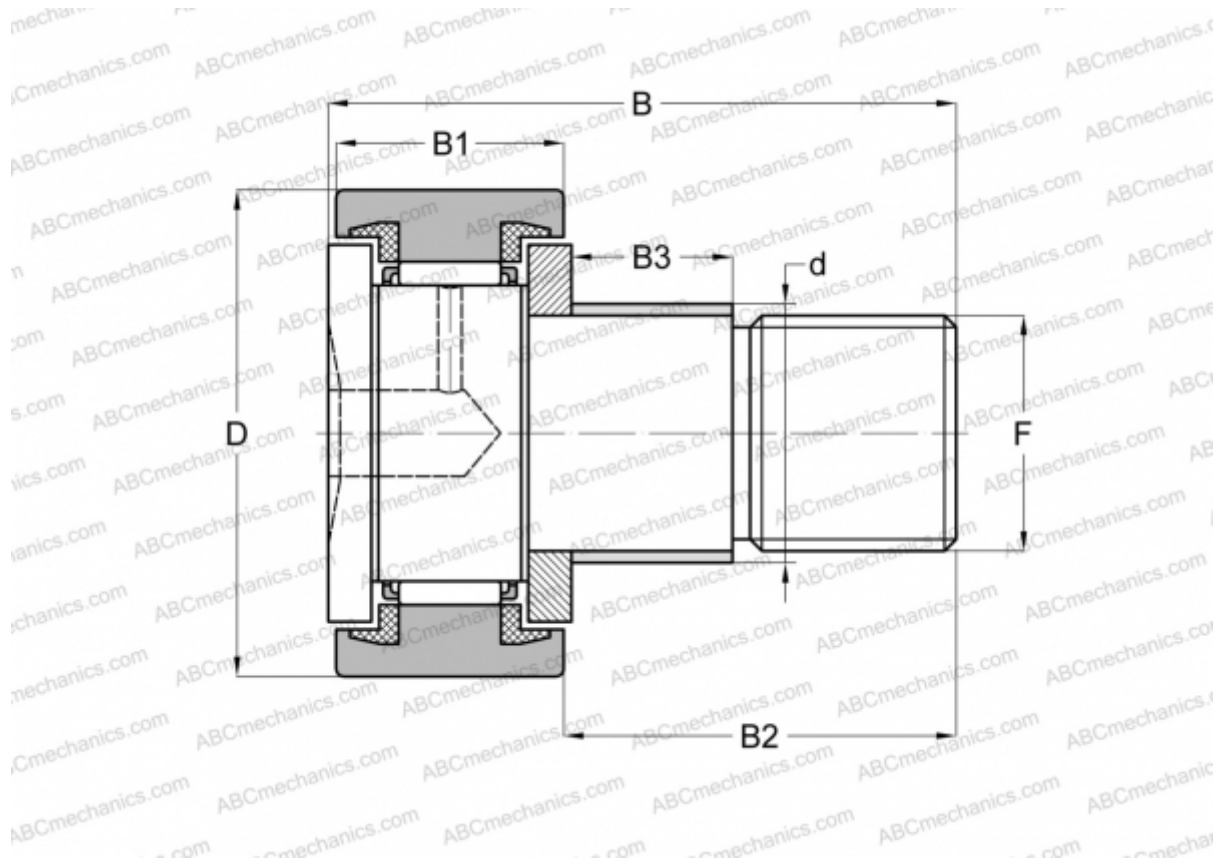


CFE 8 UU IKO

Cam followers

TYPE: Roller bearings, Stud type track rollers, With axial guidance, with eccentric collar, sealing rings on both sides, cylindrical outer ring



Technical specification

DIMENSIONS, MM

d	11,000
D	19,000
B	32,200
B1	11,000
B2	20,000
F	M8x1.25

WEIGHT, KG 0,032

MANUFACTURER [IKO](#)

INTERCHANGE

ABC	KRE 19 PPX
SKF	KRE 19 PPX
INA	KRE 19 PPX

CALCULATION DATA

Basic dynamic load rating, C	4,250 kN
Basic static load rating, Co	4,740 kN