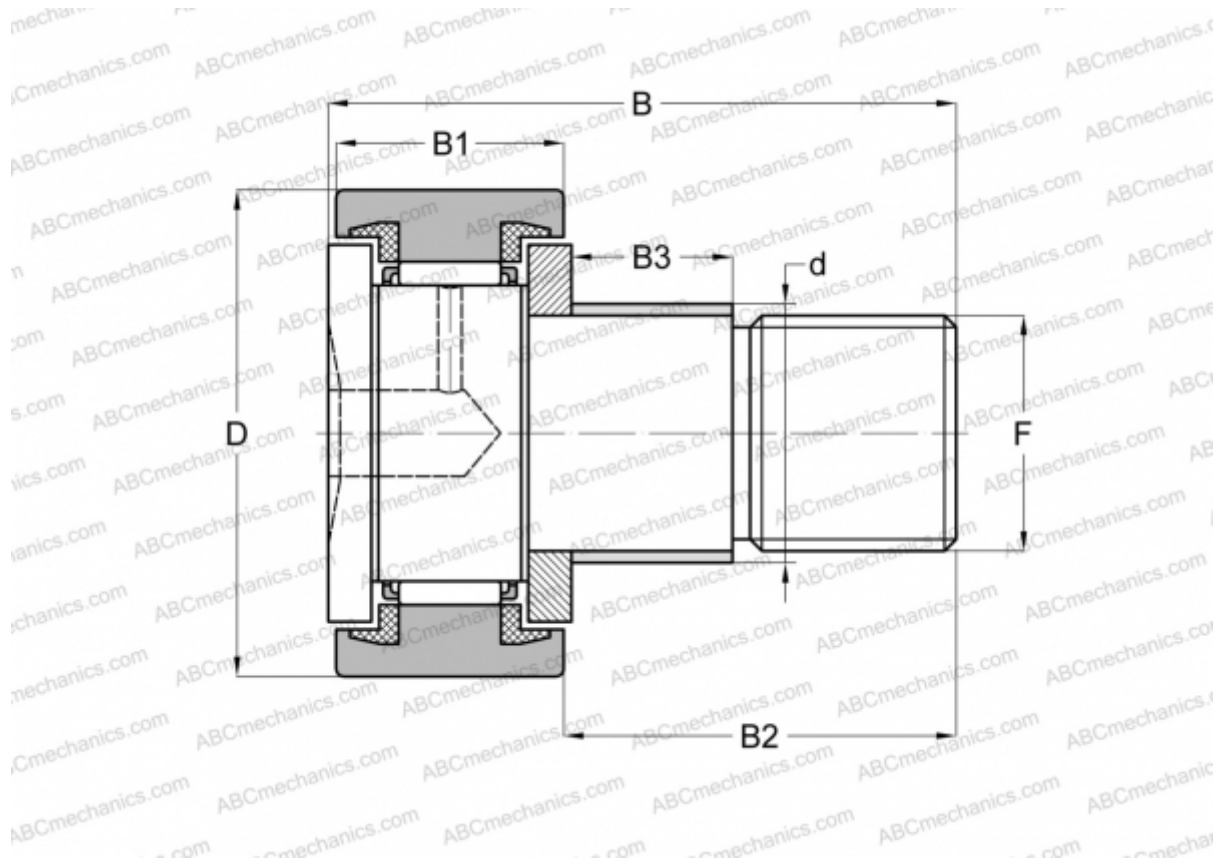


## KRE 22 PPX SKF

Cam followers

TYPE: Roller bearings, Stud type track rollers, With axial guidance, with eccentric collar, sealing rings on both sides, cylindrical outer ring



### Technical specification

#### DIMENSIONS, MM

d	13,000
D	22,000
B	36,000
B1	12,000
B2	23,000
F	M 10x1

**WEIGHT, KG** 0,047

**MANUFACTURER** [SKF](#)

#### INTERCHANGE

ABC	<a href="#">KRE 22 PPX</a>
INA	<a href="#">KRE 22 PPX</a>
IKO	<a href="#">CFE 10 UUM</a>

#### CALCULATION DATA

Basic dynamic load rating, C	4,400 kN
Basic static load rating, Co	5,000 kN
Fatigue load limit, Pu	0,560 kN
Limiting speed	5300 r/min