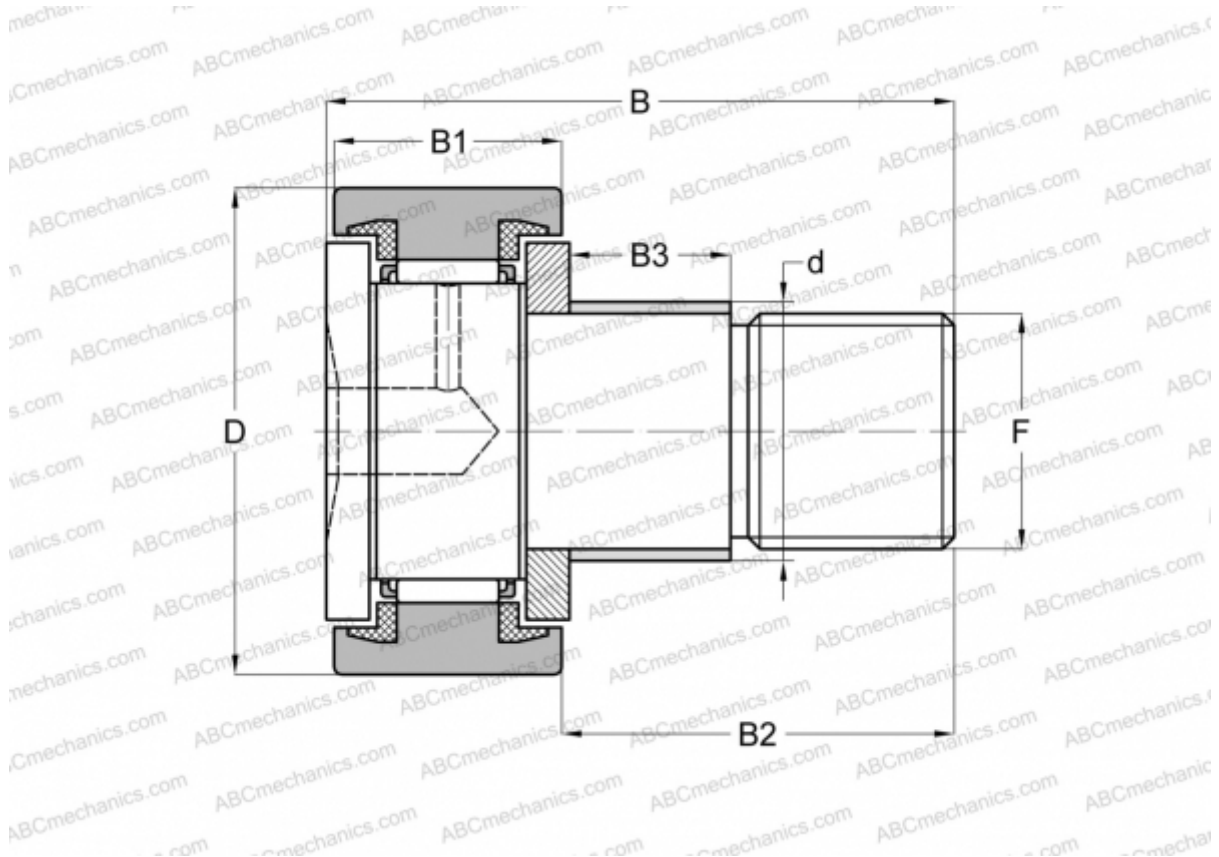


KRE 26 PPX ABC

Cam followers

TYPE: Roller bearings, Stud type track rollers, With axial guidance, with eccentric collar, sealing rings on both sides, cylindrical outer ring



Technical specification

DIMENSIONS, MM

d	13,000
D	26,000
B	36,000
B1	12,000
B2	23,000
B3	10,000
F	M10x1

WEIGHT, KG 0,064

MANUFACTURER [ABC](#)

INTERCHANGE

SKF	KRE 26 PPX
INA	KRE 26 PPX
IKO	CFE 10-1 UUM