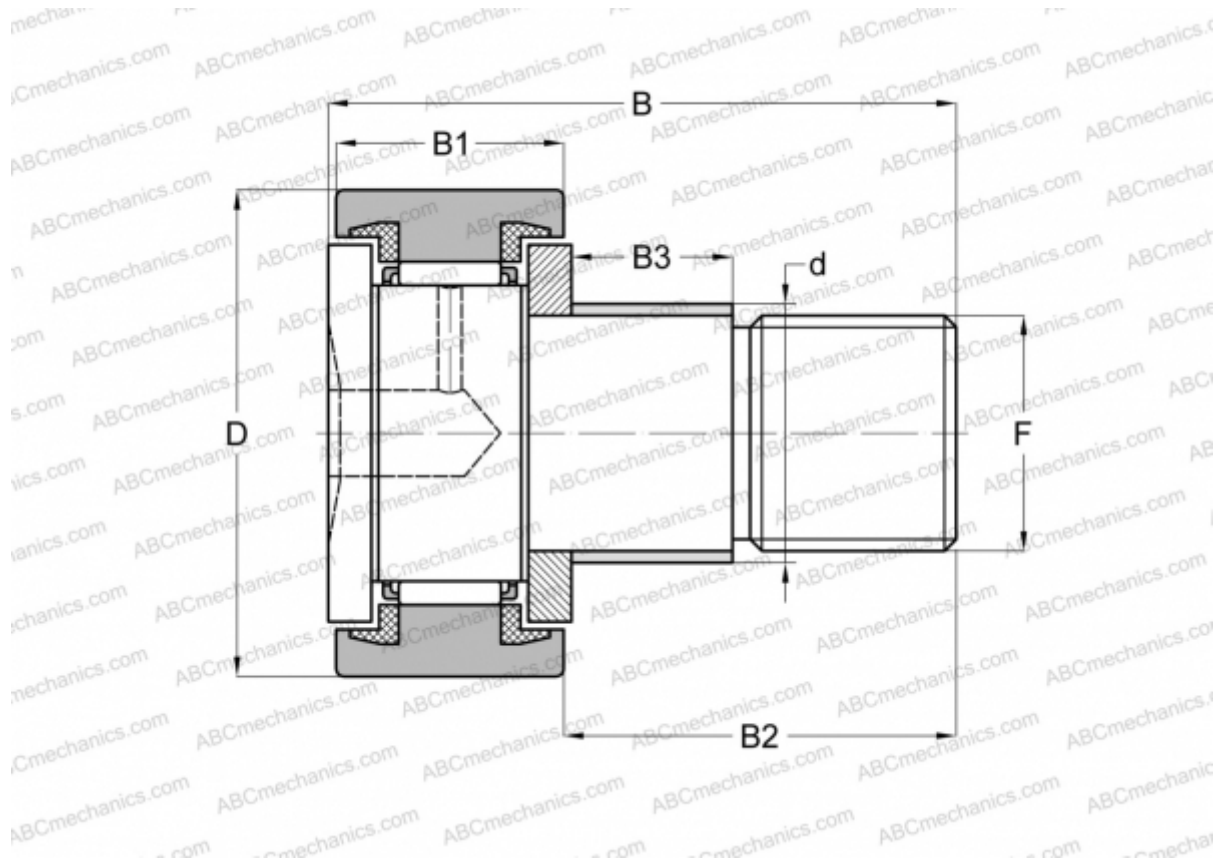


KRE 26 PPX SKF

Cam followers

TYPE: Roller bearings, Stud type track rollers, With axial guidance, with eccentric collar, sealing rings on both sides, cylindrical outer ring



Technical specification

DIMENSIONS, MM

d	13,000
D	26,000
B	36,000
B1	12,000
B2	23,000
F	M 10x1

WEIGHT, KG 0,062

MANUFACTURER [SKF](#)

INTERCHANGE

ABC	KRE 26 PPX
INA	KRE 26 PPX
IKO	CFE 10-1 UUM

CALCULATION DATA

Basic dynamic load rating, C	4,840 kN
Basic static load rating, Co	6,000 kN
Fatigue load limit, Pu	0,655 kN
Limiting speed	5300 r/min