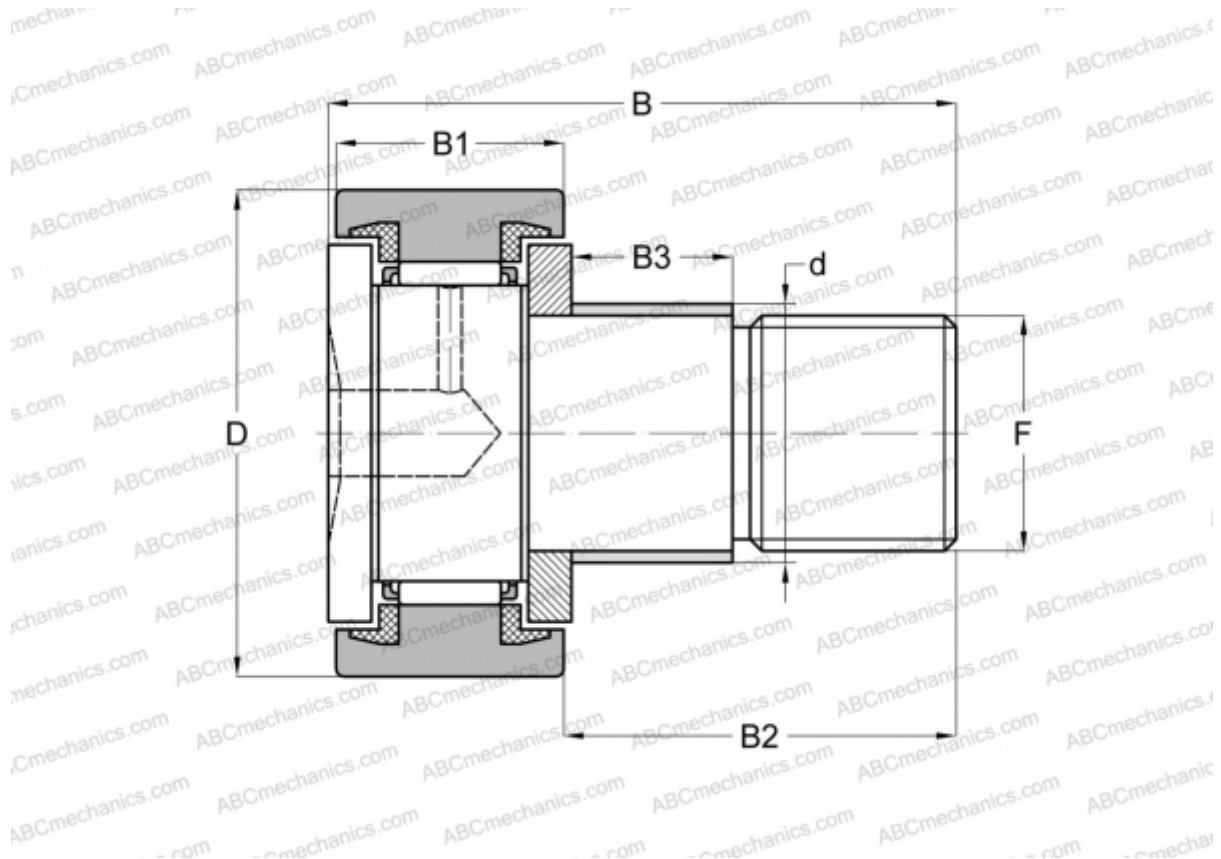


CFE 10-1 UUM IKO

Cam followers

TYPE: Roller bearings, Stud type track rollers, With axial guidance, with eccentric collar, sealing rings on both sides, cylindrical outer ring



Technical specification

DIMENSIONS, MM

d	13,000
D	26,000
B	36,200
B1	12,000
B2	23,000
F	M10x1

WEIGHT, KG 0,065

MANUFACTURER [IKO](#)

INTERCHANGE

ABC	KRE 26 PPX
SKF	KRE 26 PPX
INA	KRE 26 PPX

CALCULATION DATA

Basic dynamic load rating, C	5,430 kN
Basic static load rating, Co	6,890 kN