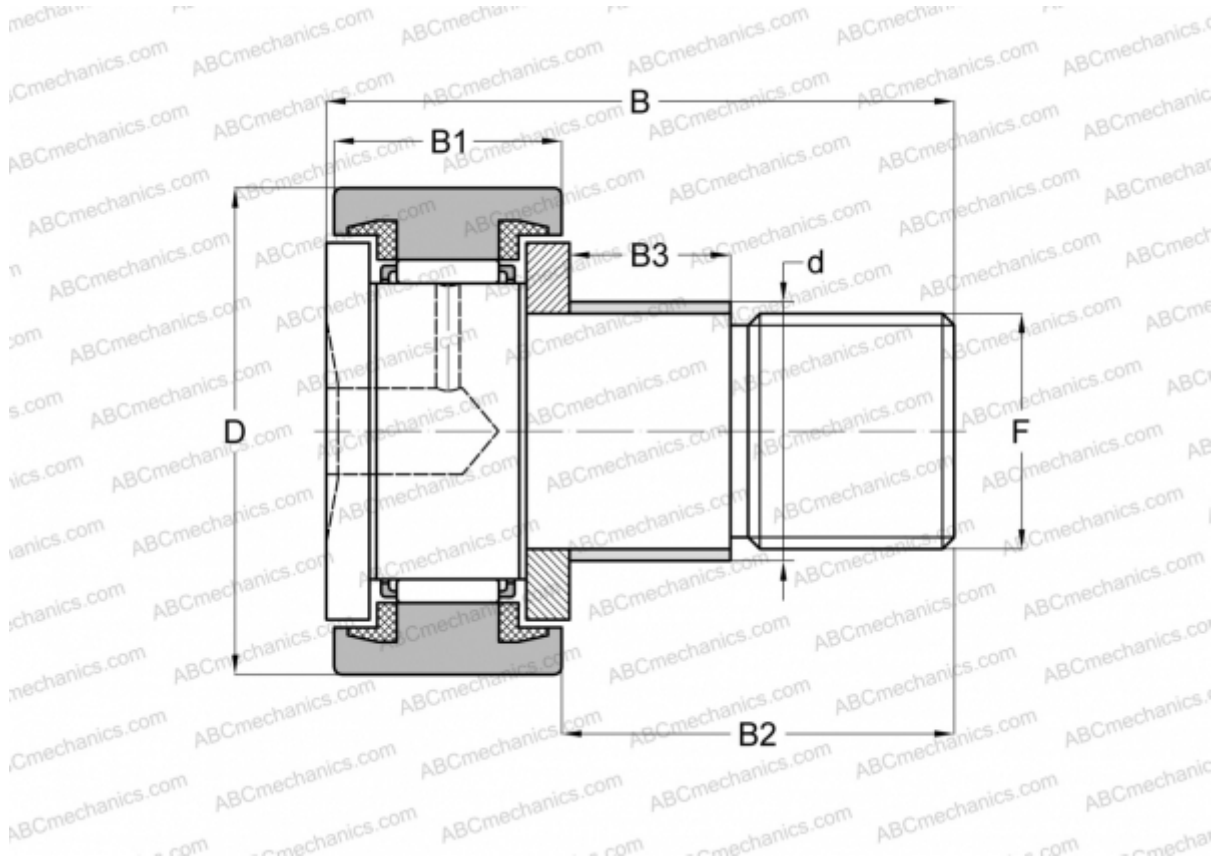


KRE 30 PPX INA

Cam followers

TYPE: Roller bearings, Stud type track rollers, With axial guidance, with eccentric collar, sealing rings on both sides, cylindrical outer ring



Technical specification

DIMENSIONS, MM

d	15,000
D	30,000
B	40,000
B1	14,000
B2	25,000
B3	11,000
F	M12x1,5

WEIGHT, KG 0,095

MANUFACTURER [INA](#)

INTERCHANGE

ABC	KRE 30 PPX
SKF	KRE 30 PPX