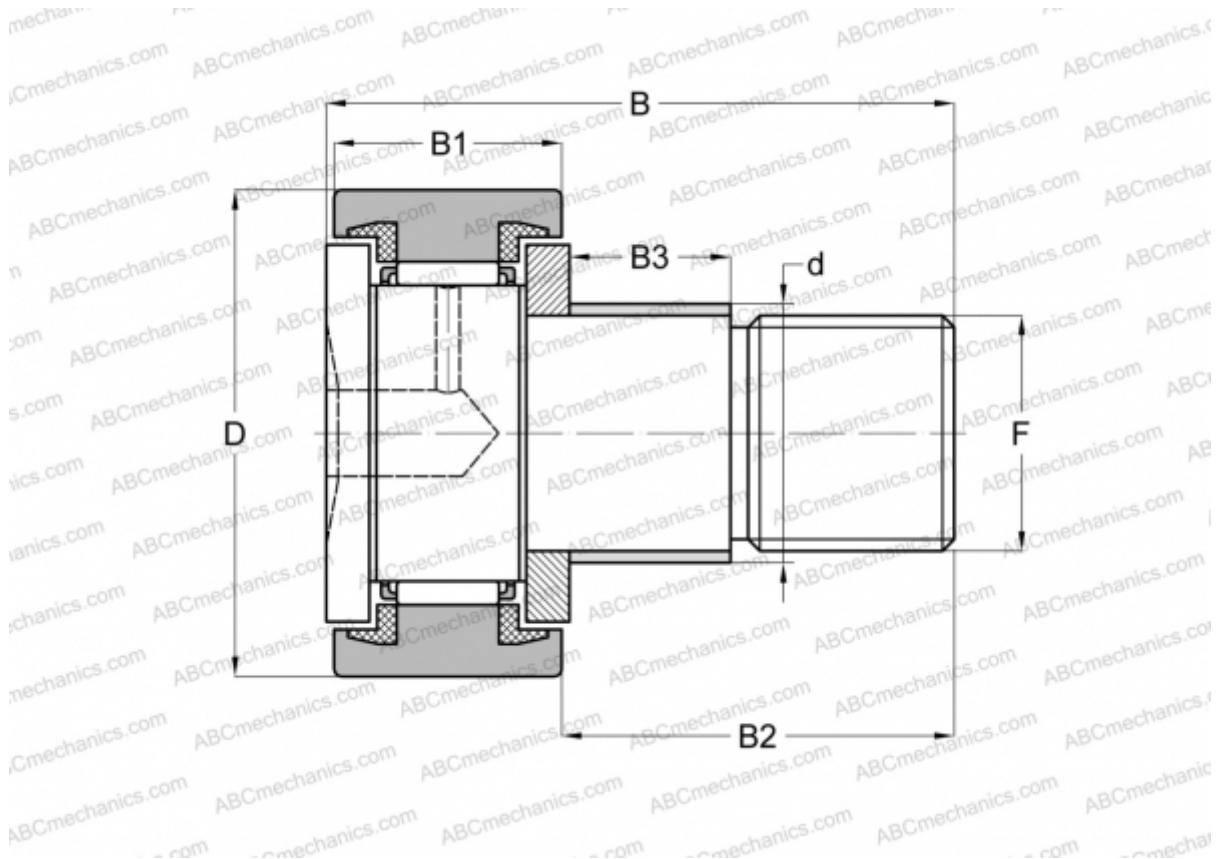


KRE 32 PPX ABC

Cam followers

TYPE: Roller bearings, Stud type track rollers, With axial guidance, with eccentric collar, sealing rings on both sides, cylindrical outer ring



Technical specification

DIMENSIONS, MM

| | |
|----|---------|
| d | 15,000 |
| D | 32,000 |
| B | 40,000 |
| B1 | 14,000 |
| B2 | 25,000 |
| B3 | 11,000 |
| F | M12x1,5 |

WEIGHT, KG 0,104

MANUFACTURER [ABC](#)

INTERCHANGE

| | |
|-----|----------------------------|
| SKF | KRE 32 PPX |
| INA | KRE 32 PPX |