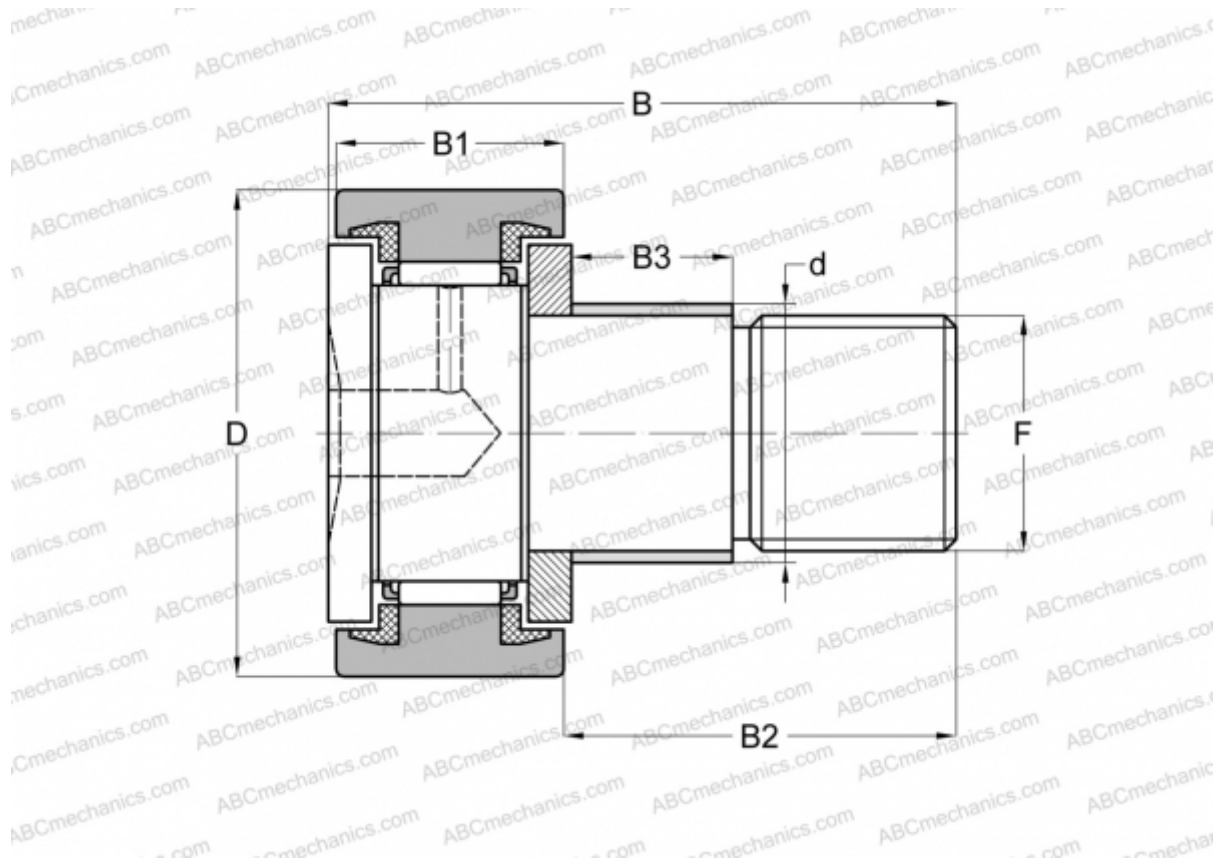


## KRE 32 PPX SKF

Cam followers

TYPE: Roller bearings, Stud type track rollers, With axial guidance, with eccentric collar, sealing rings on both sides, cylindrical outer ring



### Technical specification

#### DIMENSIONS, MM

d	15,000
D	32,000
B	40,000
B1	14,000
B2	25,000
F	M 12x1.5

**WEIGHT, KG** 0,104

**MANUFACTURER** [SKF](#)

#### INTERCHANGE

ABC	<a href="#">KRE 32 PPX</a>
INA	<a href="#">KRE 32 PPX</a>

#### CALCULATION DATA

Basic dynamic load rating, C	6,710 kN
------------------------------	----------

#### CALCULATION DATA

Basic static load rating, Co	8,500 kN
Fatigue load limit, Pu	0,950 kN
Limiting speed	4800 r/min