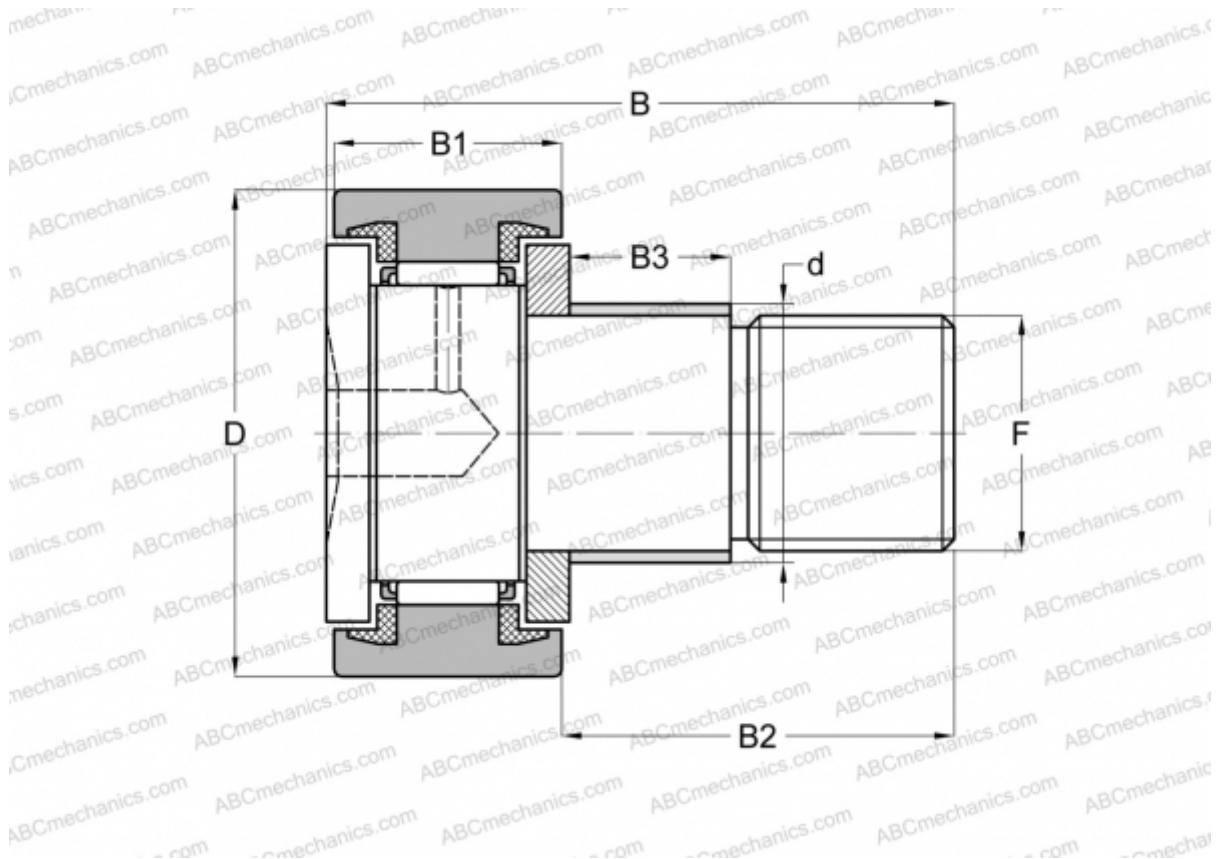


KRE 62 PPX SKF

Cam followers

TYPE: Roller bearings, Stud type track rollers, With axial guidance, with eccentric collar, sealing rings on both sides, cylindrical outer ring



Technical specification

DIMENSIONS, MM

| | |
|----|----------|
| d | 28,000 |
| D | 62,000 |
| B | 80,000 |
| B1 | 29,000 |
| B2 | 49,500 |
| F | M 24x1.5 |

WEIGHT, KG 0,798

MANUFACTURER [SKF](#)

INTERCHANGE

| | |
|-----|----------------------------|
| ABC | KRE 62 PPX |
| INA | KRE 62 PPX |

CALCULATION DATA

| | |
|------------------------------|-----------|
| Basic dynamic load rating, C | 24,600 kN |
|------------------------------|-----------|

CALCULATION DATA

| | |
|------------------------------|------------|
| Basic static load rating, Co | 44,000 kN |
| Fatigue load limit, Pu | 5,500 kN |
| Limiting speed | 2400 r/min |