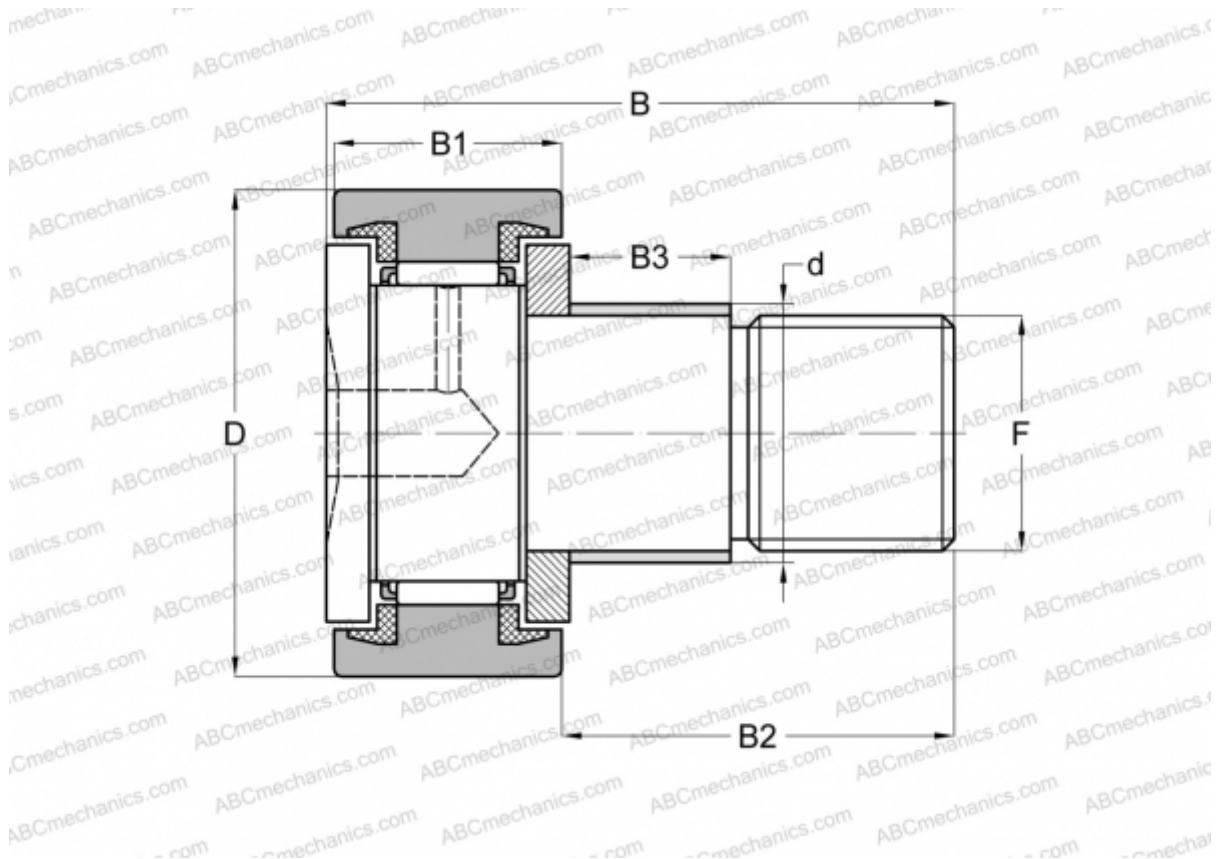


## KRE 72 PPX INA

Cam followers

TYPE: Roller bearings, Stud type track rollers, With axial guidance, with eccentric collar, sealing rings on both sides, cylindrical outer ring



### Technical specification

#### DIMENSIONS, MM

|    |         |
|----|---------|
| d  | 28,000  |
| D  | 72,000  |
| B  | 80,000  |
| B1 | 29,000  |
| B2 | 49,500  |
| B3 | 22,000  |
| F  | M24x1,5 |

**WEIGHT, KG** 1,038

**MANUFACTURER** [INA](#)

#### INTERCHANGE

|     |                            |
|-----|----------------------------|
| ABC | <a href="#">KRE 72 PPX</a> |
| SKF | <a href="#">KRE 72 PPX</a> |