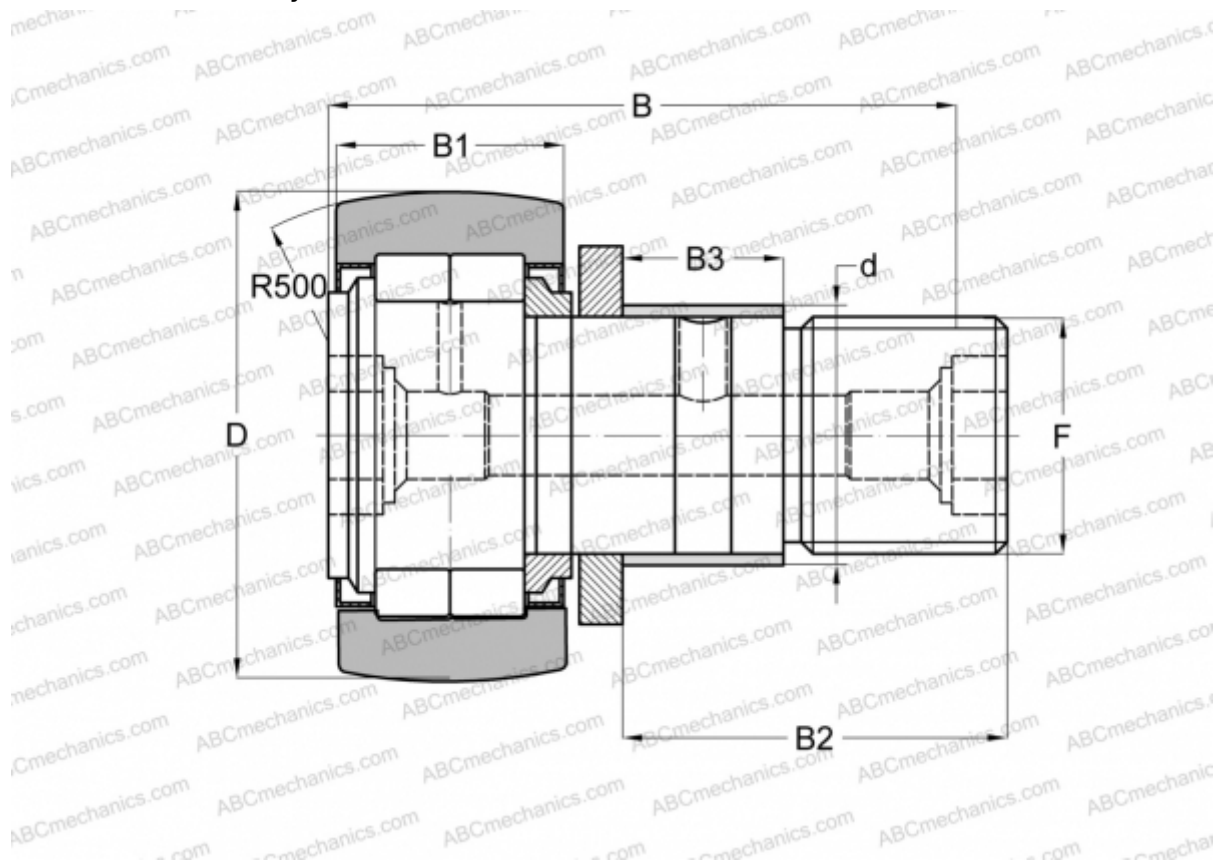


## NUKRE 40 C FAG

Cam followers

TYPE: Roller bearings, Stud type track rollers, With axial guidance, full complement cylindrical roller set, with eccentric collar, labyrinth seals on both sides



### Technical specification

#### DIMENSIONS, MM

d	22,000
D	40,000
B	58,000
B1	20,000
B2	36,500
B3	16,000
F	M18x1,5

**WEIGHT, KG** 0,259

**MANUFACTURER** [FAG](#)

#### INTERCHANGE

ABC	<a href="#">NUKRE 40</a>
INA	<a href="#">NUKRE 40</a>
SKF	<a href="#">NUKRE 40 A</a>