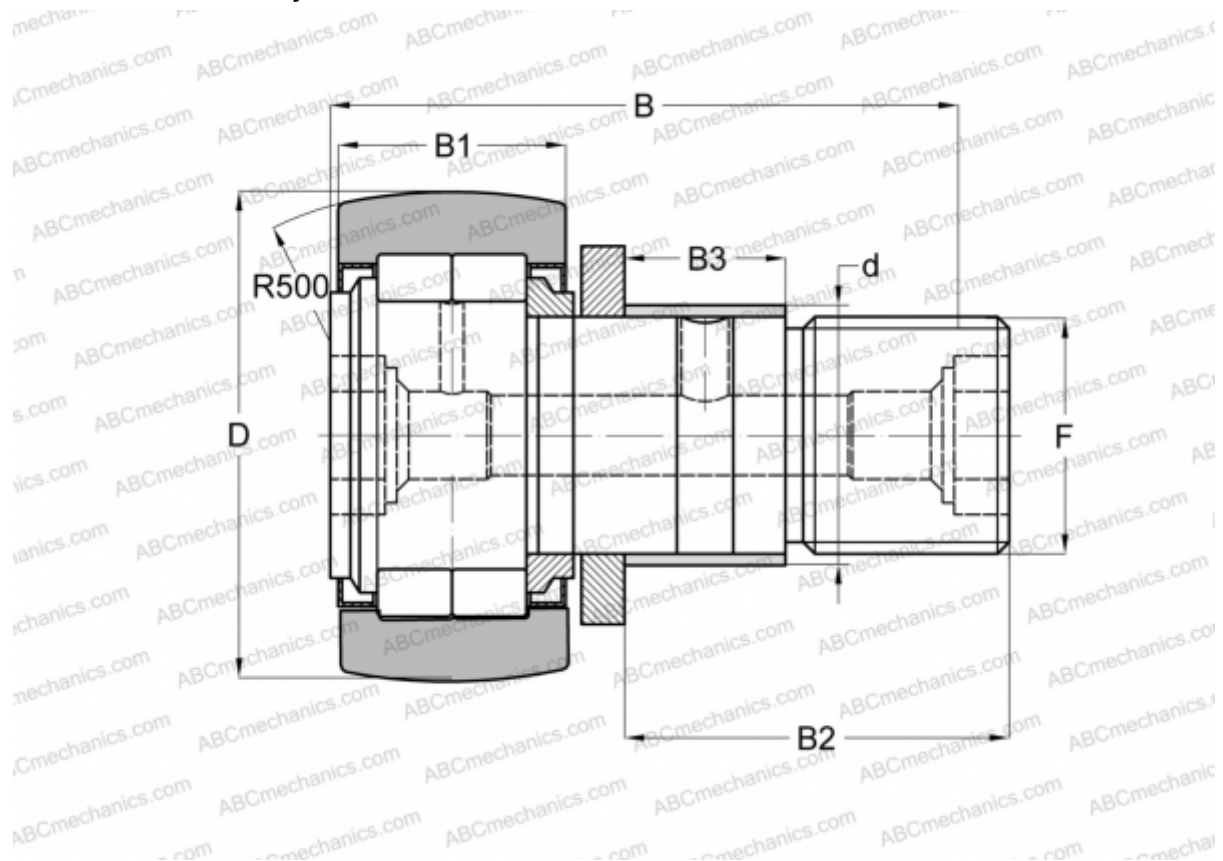


NUKRE 40 INA

Cam followers

TYPE: Roller bearings, Stud type track rollers, With axial guidance, full complement cylindrical roller set, with eccentric collar, labyrinth seals on both sides



Technical specification

DIMENSIONS, MM

| | |
|----|---------|
| d | 22,000 |
| D | 40,000 |
| B | 58,000 |
| B1 | 20,000 |
| B2 | 36,500 |
| B3 | 16,000 |
| F | M18x1,5 |

WEIGHT, KG 0,259

MANUFACTURER [INA](#)

INTERCHANGE

| | |
|-----|----------------------------|
| ABC | NUKRE 40 |
| FAG | NUKRE 40 C |
| SKF | NUKRE 40 A |