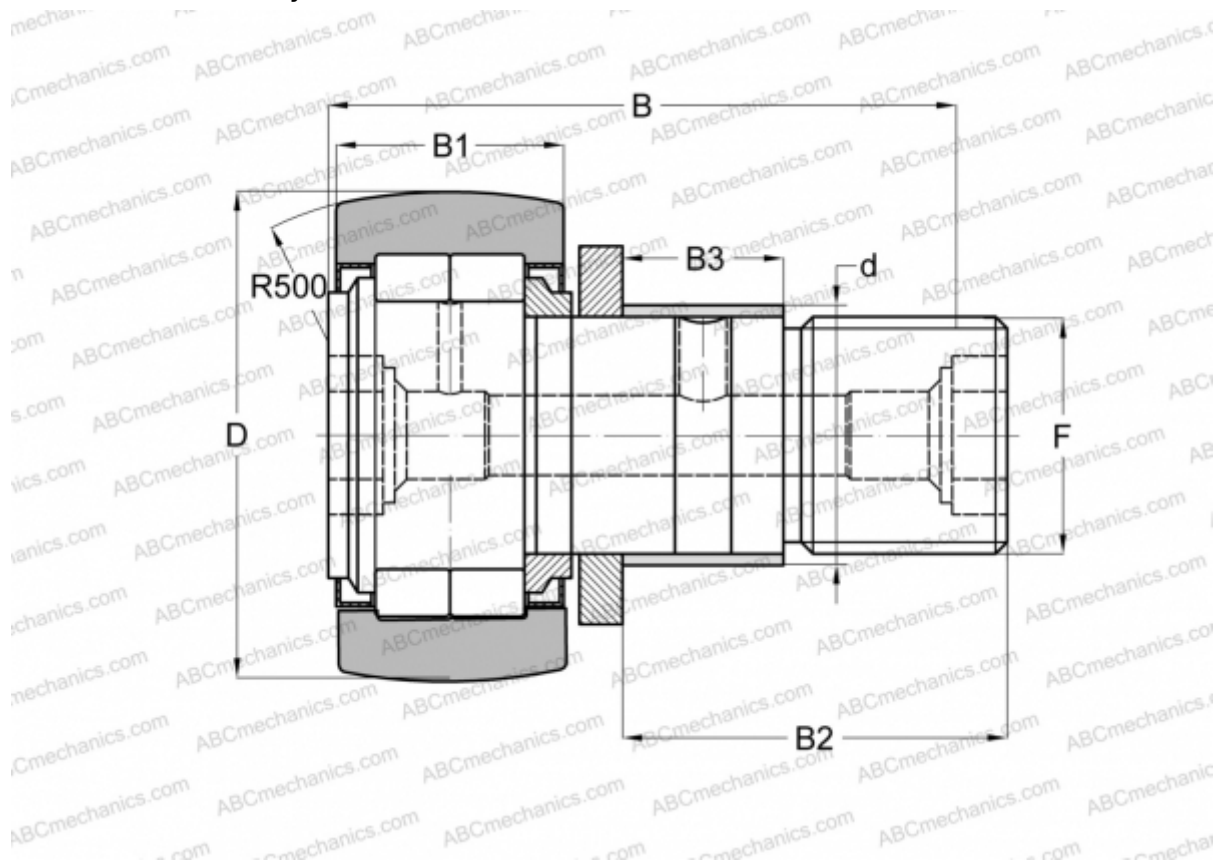


NUKRE 90 A SKF

Cam followers

TYPE: Roller bearings, Stud type track rollers, With axial guidance, full complement cylindrical roller set, with eccentric collar, labyrinth seals on both sides



Technical specification

DIMENSIONS, MM

d	35,000
D	90,000
B	100,000
B1	35,000
B2	63,000
F	M 30x1.5

WEIGHT, KG 2,020

MANUFACTURER [SKF](#)

INTERCHANGE

ABC	NUKRE 90
FAG	NUKRE 90 C
INA	NUKRE 90

CALCULATION DATA

Basic dynamic load rating, C	78,100 kN
Basic static load rating, Co	102,000 kN
Fatigue load limit, Pu	12,700 kN
Limiting speed	1900 r/min