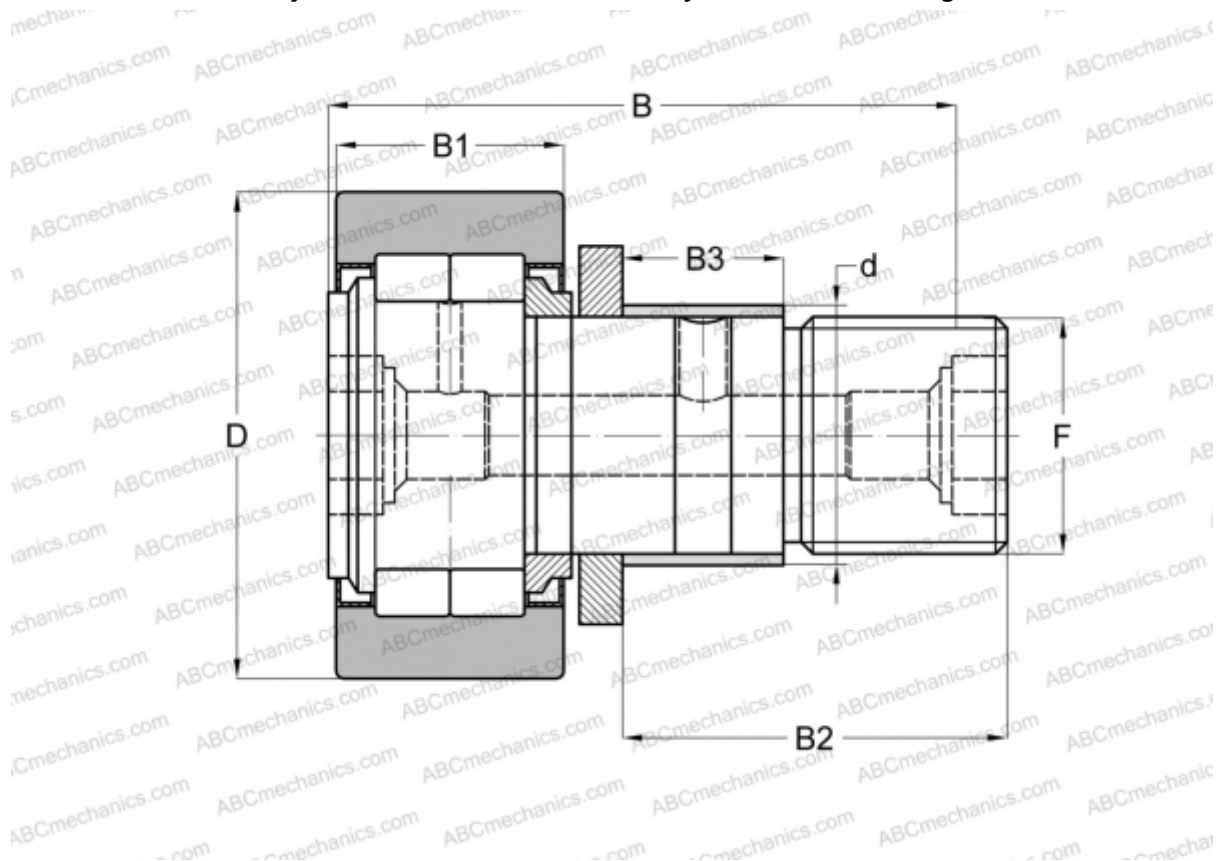


## NUKRE 80 X SKF

Cam followers

TYPE: Roller bearings, Stud type track rollers, With axial guidance, full complement cylindrical roller set, with eccentric collar, labyrinth seals on both sides, cylindrical outer ring



### Technical specification

#### DIMENSIONS, MM

d	35,000
D	80,000
B	100,000
B1	35,000
B2	63,000
F	M 30x1.5

**WEIGHT, KG** 1,670

**MANUFACTURER** [SKF](#)

#### INTERCHANGE

ABC	<a href="#">NUKRE 80 X</a>
FAG	<a href="#">NUKRE 80 C DZ</a>
INA	<a href="#">NUKRE 80 X</a>

#### CALCULATION DATA

Basic dynamic load rating, C	69,300 kN
Basic static load rating, Co	86,500 kN
Fatigue load limit, Pu	10,800 kN
Limiting speed	1900 r/min