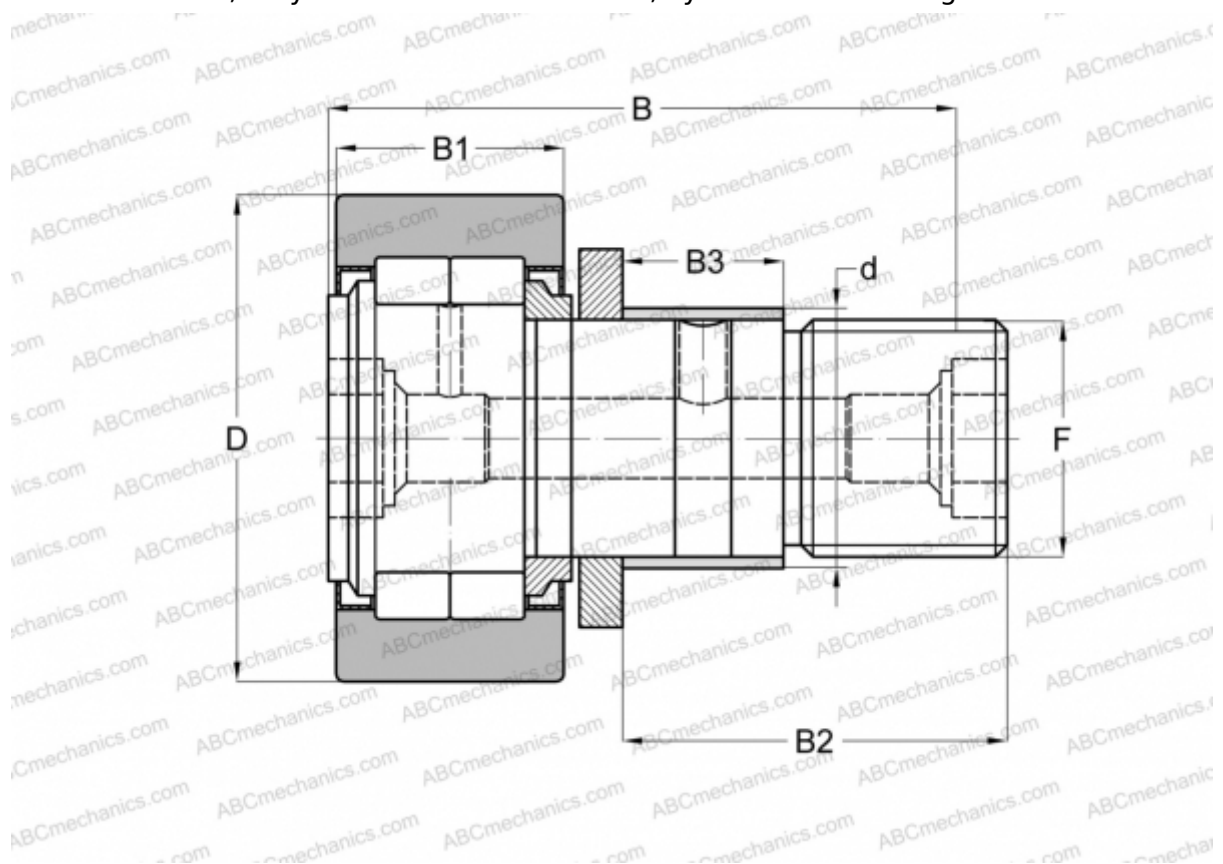


## NUKRE 85 X INA

Cam followers

TYPE: Roller bearings, Stud type track rollers, With axial guidance, full complement cylindrical roller set, with eccentric collar, labyrinth seals on both sides, cylindrical outer ring



### Technical specification

#### DIMENSIONS, MM

d	35,000
D	85,000
B	100,000
B1	35,000
B2	63,000
B3	29,000
F	M30x1,5

**WEIGHT, KG** 1,846

**MANUFACTURER** [INA](#)

#### INTERCHANGE

ABC	<a href="#">NUKRE 85 X</a>
FAG	<a href="#">NUKRE 85 C DZ</a>