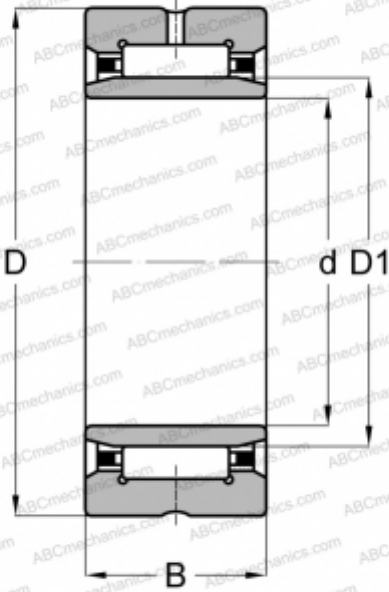


NKI 5/12 TN SKF

Needle roller bearings

TYPE: Roller bearings, Needle, Single row, With machined rings with flanges, with an inner ring, Metric



Technical specification

DIMENSIONS, MM

d	5,000
D	15,000
D1	8,000
B	12,000

WEIGHT, KG

0,012

MANUFACTURER

[SKF](#)

INTERCHANGE

ABC	NKI 5/12
FAG	NKI 5/12
INA	NKI 5/12
IKO	TAFI 51512

CALCULATION DATA

Basic dynamic load rating, C	3,800 kN
Basic static load rating, Co	4,250 kN
Fatigue load limit, Pu	0,465 kN
Reference speed	32000 r/min
Limiting speed	36000 r/min

REPLACES

SNKI 5/12