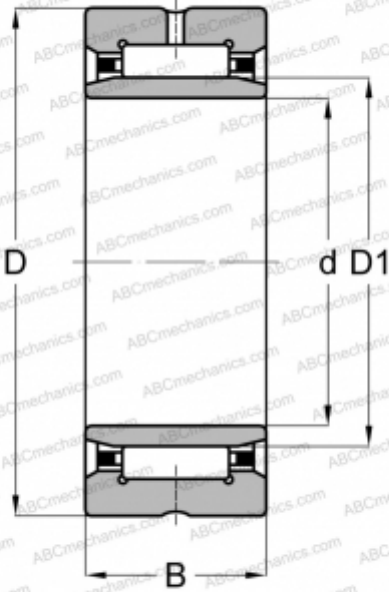


NKI 10/20 SKF

Needle roller bearings

TYPE: Roller bearings, Needle, Single row, With machined rings with flanges, with an inner ring, Metric



Technical specification

DIMENSIONS, MM

d	10,000
D	22,000
D1	14,000
B	20,000

WEIGHT, KG

0,037

MANUFACTURER

[SKF](#)

INTERCHANGE

ABC	NKI 10/20
FAG	NKI 10/20
INA	NKI 10/20
IKO	TAFI 102220

CALCULATION DATA

Basic dynamic load rating, C	12,800 kN
Basic static load rating, Co	16,600 kN
Fatigue load limit, Pu	2,000 kN
Reference speed	24000 r/min
Limiting speed	28000 r/min

REPLACES

NA 1222