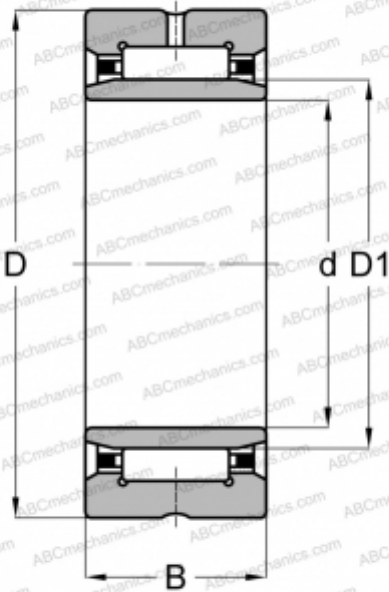


## NKIS 15 SKF

Needle roller bearings

TYPE: Roller bearings, Needle, Single row, With machined rings with flanges, with an inner ring, Metric



### Technical specification

#### DIMENSIONS, MM

d	15,000
D	35,000
D1	22,000
B	20,000

#### WEIGHT, KG

0,092

#### MANUFACTURER

[SKF](#)

#### INTERCHANGE

ABC	<a href="#">NKIS 15</a>
INA	<a href="#">NKIS 15</a>
CONSOLIDATED	<a href="#">NAS 15</a>

#### CALCULATION DATA

Basic dynamic load rating, C	24,600 kN
Basic static load rating, Co	30,000 kN
Fatigue load limit, Pu	3,650 kN
Reference speed	16000 r/min
Limiting speed	19000 r/min