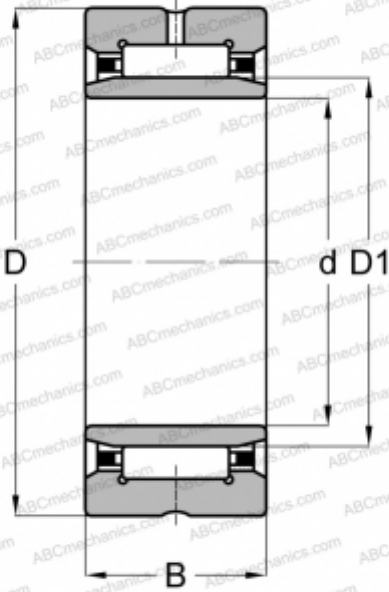


NKI 17/20 SKF

Needle roller bearings

TYPE: Roller bearings, Needle, Single row, With machined rings with flanges, with an inner ring, Metric



Technical specification

DIMENSIONS, MM

| | |
|----|--------|
| d | 17,000 |
| D | 29,000 |
| D1 | 21,000 |
| B | 20,000 |

WEIGHT, KG

0,053

MANUFACTURER

[SKF](#)

INTERCHANGE

| | |
|-----|-----------------------------|
| ABC | NKI 17/20 |
| FAG | NKI 17/20 |
| INA | NKI 17/20 |
| IKO | TAFI 172920 |

CALCULATION DATA

| | |
|------------------------------|-------------|
| Basic dynamic load rating, C | 17,200 kN |
| Basic static load rating, Co | 27,000 kN |
| Fatigue load limit, Pu | 3,350 kN |
| Reference speed | 19000 r/min |
| Limiting speed | 22000 r/min |

REPLACES

NA 17292