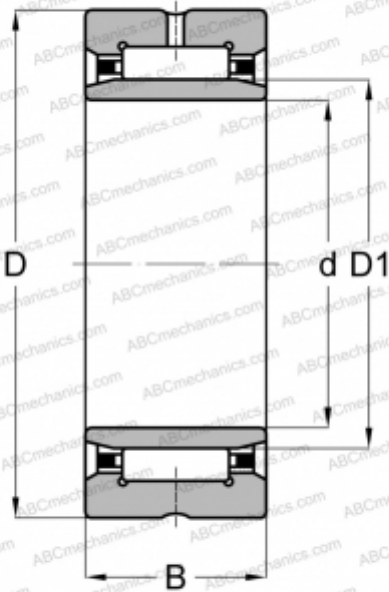


NKIS 17 SKF

Needle roller bearings

TYPE: Roller bearings, Needle, Single row, With machined rings with flanges, with an inner ring, Metric



Technical specification

DIMENSIONS, MM

d	17,000
D	37,000
D1	24,000
B	20,000

WEIGHT, KG

0,098

MANUFACTURER

[SKF](#)

INTERCHANGE

ABC	NKIS 17
FAG	NKJS 17A(NAK 17)
INA	NKIS 17
TORRINGTON	NKJS 17
CONSOLIDATED	NAS 17

CALCULATION DATA

Basic dynamic load rating, C	26,000 kN
Basic static load rating, Co	33,500 kN
Fatigue load limit, Pu	4,000 kN
Reference speed	15000 r/min
Limiting speed	17000 r/min