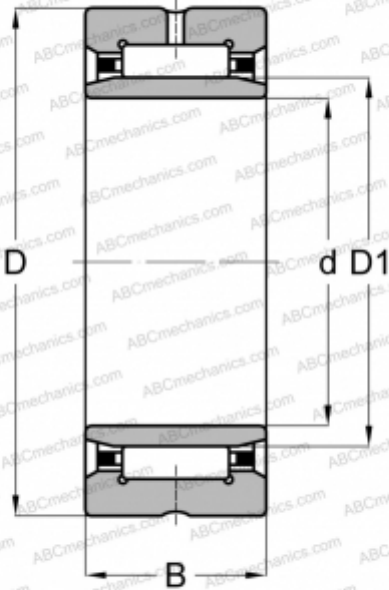


## NKIS 20 SKF

Needle roller bearings

TYPE: Roller bearings, Needle, Single row, With machined rings with flanges, with an inner ring, Metric



### Technical specification

#### DIMENSIONS, MM

d	20,000
D	42,000
D1	28,000
B	20,000

#### WEIGHT, KG

0,130

#### MANUFACTURER

[SKF](#)

#### INTERCHANGE

ABC	<a href="#">NKIS 20</a>
FAG	<a href="#">NKJS 20A(NAK 20)</a>
INA	<a href="#">NKIS 20</a>
TORRINGTON	<a href="#">NKJS 20</a>
CONSOLIDATED	<a href="#">NAS 20</a>

#### CALCULATION DATA

Basic dynamic load rating, C	28,600 kN
Basic static load rating, Co	39,000 kN
Fatigue load limit, Pu	4,750 kN
Reference speed	13000 r/min
Limiting speed	15000 r/min