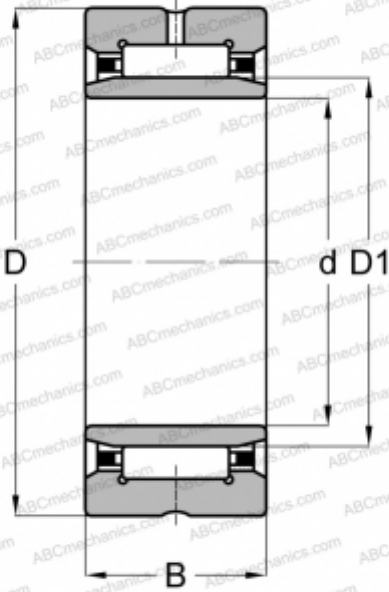


NA 6904 SKF

Needle roller bearings

TYPE: Roller bearings, Needle, Single row, With machined rings with flanges, with an inner ring, Metric



Technical specification

DIMENSIONS, MM

d	20,000
D	37,000
D1	25,000
B	30,000

WEIGHT, KG

0,140

MANUFACTURER

[SKF](#)

INTERCHANGE

ABC	NA 6904
FAG	NA 6904
INA	NA 6904
TORRINGTON	NA 6904

CALCULATION DATA

Basic dynamic load rating, C	35,200 kN
Basic static load rating, Co	53,000 kN
Fatigue load limit, Pu	6,550 kN
Reference speed	15000 r/min
Limiting speed	17000 r/min

REPLACES

NNA 694