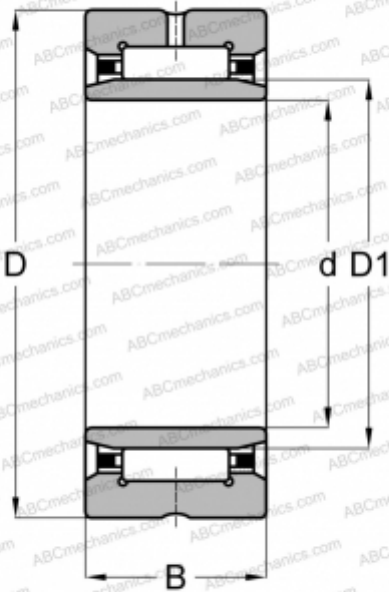


NKIS 25 SKF

Needle roller bearings

TYPE: Roller bearings, Needle, Single row, With machined rings with flanges, with an inner ring, Metric



Technical specification

DIMENSIONS, MM

d	25,000
D	47,000
D1	32,000
B	22,000

WEIGHT, KG

0,160

MANUFACTURER

[SKF](#)

INTERCHANGE

ABC	NKIS 25
FAG	NKJS 25A(NAK 25)
INA	NKIS 25
NADELLA	NA 2025
TORRINGTON	NKJS 25
CONSOLIDATED	NAS 25

CALCULATION DATA

Basic dynamic load rating, C	34,100 kN
Basic static load rating, Co	46,500 kN
Fatigue load limit, Pu	5,700 kN
Reference speed	12000 r/min
Limiting speed	13000 r/min