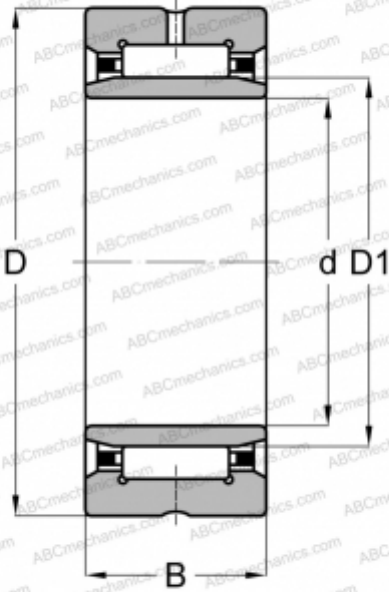


NA 4905 SKF

Needle roller bearings

TYPE: Roller bearings, Needle, Single row, With machined rings with flanges, with an inner ring, Metric



Technical specification

DIMENSIONS, MM

d	25,000
D	42,000
D1	30,000
B	17,000

WEIGHT, KG

0,088

MANUFACTURER

[SKF](#)

INTERCHANGE

ABC	NA 4905
FAG	NA 4905(NU 4905)
INA	NA 4905
IKO	NA 4905
TORRINGTON	NA 4905

CALCULATION DATA

Basic dynamic load rating, C	24,200 kN
Basic static load rating, Co	34,500 kN
Fatigue load limit, Pu	4,150 kN
Reference speed	13000 r/min
Limiting speed	15000 r/min