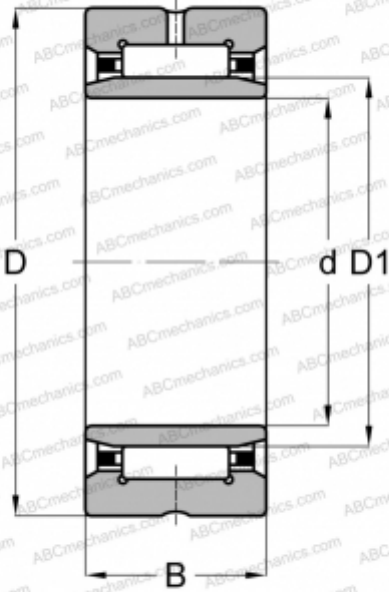


## NA 6905 SKF

Needle roller bearings

TYPE: Roller bearings, Needle, Single row, With machined rings with flanges, with an inner ring, Metric



### Technical specification

#### DIMENSIONS, MM

d	25,000
D	42,000
D1	30,000
B	30,000

#### WEIGHT, KG

0,160

#### MANUFACTURER

[SKF](#)

#### INTERCHANGE

ABC	<a href="#">NA 6905</a>
FAG	<a href="#">NA 6905</a>
INA	<a href="#">NA 6905</a>
TORRINGTON	<a href="#">NA 6905</a>

#### CALCULATION DATA

Basic dynamic load rating, C	38,000 kN
Basic static load rating, Co	62,000 kN
Fatigue load limit, Pu	7,650 kN
Reference speed	13000 r/min
Limiting speed	15000 r/min

#### REPLACES

NNA 695