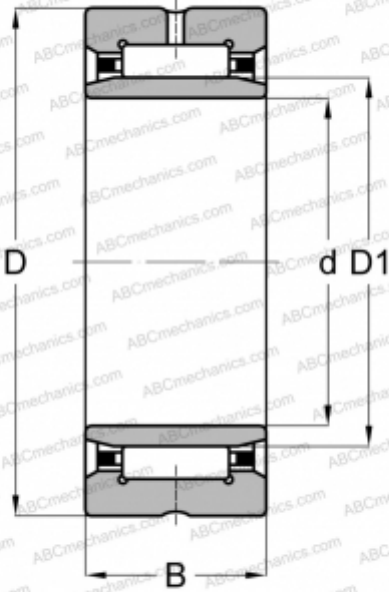


## NA 49/28 SKF

Needle roller bearings

TYPE: Roller bearings, Needle, Single row, With machined rings with flanges, with an inner ring, Metric



### Technical specification

#### DIMENSIONS, MM

d	28,000
D	45,000
D1	32,000
B	17,000

#### WEIGHT, KG

0,098

#### MANUFACTURER

[SKF](#)

#### INTERCHANGE

ABC	<a href="#">NA 49/28</a>
FAG	<a href="#">NA 49/28(NU 49/28)</a>
INA	<a href="#">NA 49/28</a>
IKO	<a href="#">NA 49/28</a>
TORRINGTON	<a href="#">NA 49/28</a>

#### CALCULATION DATA

Basic dynamic load rating, C	25,100 kN
Basic static load rating, Co	36,500 kN
Fatigue load limit, Pu	4,400 kN
Reference speed	12000 r/min
Limiting speed	14000 r/min