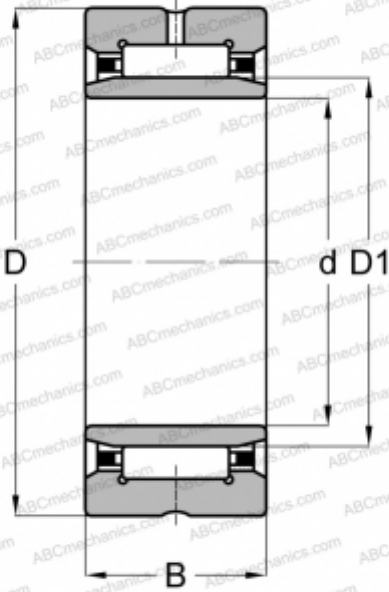


NA 49/32 SKF

Needle roller bearings

TYPE: Roller bearings, Needle, Single row, With machined rings with flanges, with an inner ring, Metric



Technical specification

DIMENSIONS, MM

d	32,000
D	52,000
D1	40,000
B	20,000

WEIGHT, KG

0,160

MANUFACTURER

[SKF](#)

INTERCHANGE

ABC	NA 49/32
FAG	NA 49/32(NU 49/32)
INA	NA 49/32
IKO	NA 49/32
TORRINGTON	NA 49/32

CALCULATION DATA

Basic dynamic load rating, C	30,800 kN
Basic static load rating, Co	51,000 kN
Fatigue load limit, Pu	6,300 kN
Reference speed	10000 r/min
Limiting speed	11000 r/min