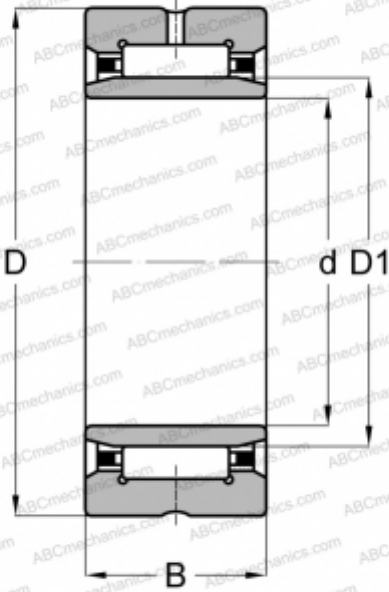


## NA 4918 SKF

Needle roller bearings

TYPE: Roller bearings, Needle, Single row, With machined rings with flanges, with an inner ring, Metric



### Technical specification

#### DIMENSIONS, MM

d	90,000
D	125,000
D1	105,000
B	35,000

#### WEIGHT, KG

1,300

#### MANUFACTURER

[SKF](#)

#### INTERCHANGE

ABC	<a href="#">NA 4918</a>
FAG	<a href="#">NA 4918(NU 4918)</a>
INA	<a href="#">NA 4918</a>
IKO	<a href="#">NA 4918</a>
TORRINGTON	<a href="#">NA 4918</a>

#### CALCULATION DATA

Basic dynamic load rating, C	112,000 kN
Basic static load rating, Co	265,000 kN
Fatigue load limit, Pu	32,500 kN
Reference speed	3800 r/min
Limiting speed	4300 r/min