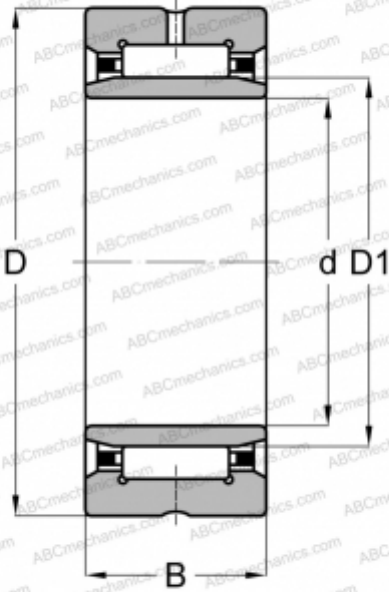


NA 4824 SKF

Needle roller bearings

TYPE: Roller bearings, Needle, Single row, With machined rings with flanges, with an inner ring, Metric



Technical specification

DIMENSIONS, MM

d	120,000
D	150,000
D1	130,000
B	30,000

WEIGHT, KG

1,150

MANUFACTURER

[SKF](#)

INTERCHANGE

ABC	NA 4824
FAG	NA 4824
INA	NA 4824
IKO	NA 4924
TORRINGTON	NA 4824
ABC	NA 4924
FAG	NA 4924
INA	NA 4924
SKF	NA 4924
TORRINGTON	NA 4924

CALCULATION DATA

Basic dynamic load rating, C	99,000 kN
Basic static load rating, Co	255,000 kN
Fatigue load limit, Pu	29,000 kN
Reference speed	3200 r/min
Limiting speed	3600 r/min